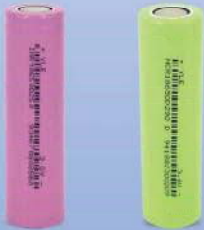


PORTAPOWER

www.portapower.com

EN ISO13849-1 Compliant

 **Yik Lik Energy**



PANASONIC



LG



SAMSUNG 18650



SAMSUNG 21700



*All the brand names mentioned therein are registered trademarks of the respective companies.

2020-1 Version

ABOUT US

PortaPower was reorganized in 1995 from the former Megasonic (founded in 1991).

PortaPower is an experienced and reputable manufacturer and exporter of Li-ion, Li-Polymer, Ni-Cd and Ni-MH rechargeable battery packs and related products. **PortaPower** provides total energy solution for local and overseas OEM/ODM customers on all rechargeable battery packs of different chemistries.

PortaPower operates state-of-the-art manufacturing facilities based in China. These are the edges of our OEM/ODM business.

With strictest quality assurance policy, **PortaPower** ensures the highest standard in all production stages, offering high-quality battery products, with a focused goal of helping and reserving customers' request. To conclude, **PortaPower** is committed to offering innovative batteries and energy solutions that would provide profitable and value-added service of the highest quality to its customers.

To further enhance our quality service, **PortaPower** now provides a **2-Year warranty** to all of our products.





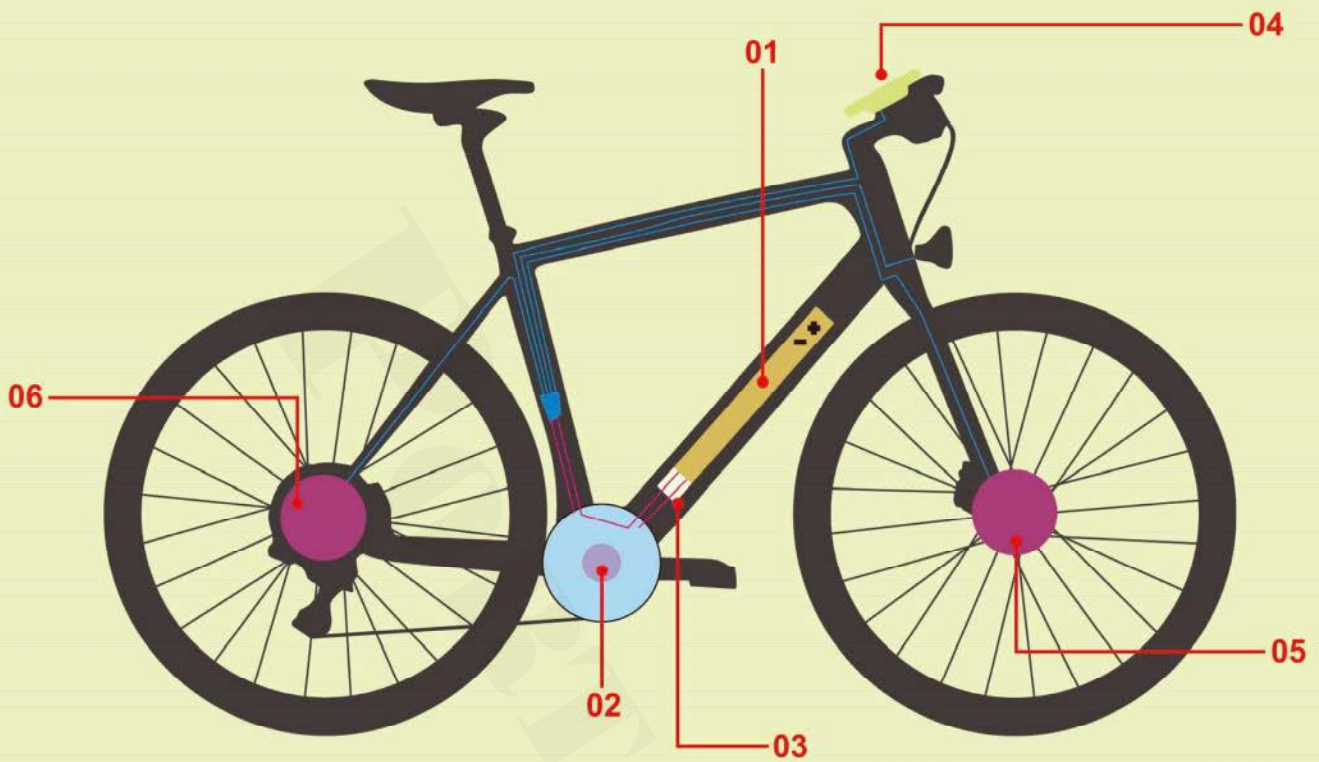
After-sales Service Centre in Germany

We believe client satisfaction comes not only from quality products but also our commitment to bring confidence to both before and after sales. Therefore, a service centre has been set up in Berlin to provide our client with the most timely and efficient technical support.



MEET **U** NEEDS

eBike Systems *(For more details see catalog eRider 2020 Version)*



01 Battery



02 Speed / Torque Sensor



03 Controller



04 LCD Display



05 Front Motor



06 Rear Motor

CONTENTS

04 *Electric Bicycle Battery Types*



58 *Electric Motorcycle Battery Types*



62 *Electric Wheelchair Battery Types*



66 *Equipment*



69 *Battery Case Accessories*



72 *Battery Cells*



**Electric Bicycle
Battery Types**



Certificates:

- CE**
- ROHS**
- REACH**
- IEC62133**
- MSDS & UN38.3**
- EN ISO 13849-1:2015**

In-frame

P14



太平洋二號
Pacific II YL-TTP2

P14



太平洋二號 Max
Pacific II Max YL-TTP2M

P15



太平洋三號
Pacific III YL-TTP3

P15



翼龍一號
Flying Dragon I YL-TYL1

P16



電鰻一號
Electric Eel I YL-TMY1

P16



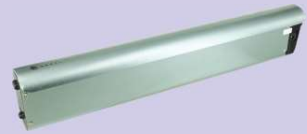
電鰻二號
Electric Eel II YL-TMY2

P17



鳳凰一號
Phoenix I YL-TFH1

P17



鳳凰二號
Phoenix II YL-TFH2

P18



玄武一號
Black Warrior I YL-TXW1

P18



玄武二號
Black Warrior II YL-TXW2



P19



獨角獸一號
Unicorn I YL-TDJ1

P19



獨角獸二號
Unicorn II YL-TDJ2

P20



獨角獸三號
Unicorn III YL-TDJ3

P20



獨角獸四號
Unicorn IV YL-TDJ4

BATTERY PACKS

In-frame

P21



白虎
White Tiger YL-TBH1

P21



飛魚
Flying Fish YL-TFY1

P22



寶劍
Sword YL-TBJ1

P22



雷蛇
Razer YL-TLS1

P23



神龍一號
Dragon I YL-TSL1

P23



神龍二號
Dragon II YL-TSL2

P24



神龍三號
Dragon III YL-TSL3

P24



神龍四號
Dragon IV YL-TSL4

P25



索尼一號
Sony I SS-TSN1

P25



廬山一號
Lushan I SS-TLS1

P26



南洋一號
South Pacific I SS-TNY1

P26



南洋二號
South Pacific II SS-TNY2

P27



南洋三號
South Pacific III SS-TNY3

P27



南洋四號
South Pacific IV SS-TNY4



In-frame

P28



長征一號
Expedition I SS-TCZ1

P28



長龍一號
Changlong I SS-TCL1

P29



鰻魚Pro
Eel-Pro RE-TMY1P

P29



鰻魚Mini
Eel-Mini RE-TMY1S

P30



利劍
Rapier RE-TLJ1

P30



半月
Scimitar RE-TBY1

P31



蜻蜓二號
Damselfly II RE-TQT2

P31



蜻蜓三號
Damselfly III RE-TQT3



P32



犀牛
Rhino RE-TXN1

P32



利刃
Edge RE-TLR1

P33



海豚
Dolphin SY-THT1

P33



天鵝
Swan SY-TTE1

P34



野馬
Mastang SY-TYM1

P34



探路者
Pathfinder SY-TTL1

Down Tube

P35



黃蜂一號
Wasp I YL-DHF1

P35



黃蜂二號
Wasp II YL-DHF2

P36



草蟻一號
Grasshopper I YL-DCM1

P36



夏普一號
Sharp I SS-DXP1

P37



海龍一號
Hailong I SS-DHL1

P37



海龍I-2
Hailong I-2 SS-DHL2

P38



虎鯊一號
Tiger Shark I RE-DHS1

P38



虎鯊二號
Tiger Shark II RE-DHS2

P39



虎鯊三號
Tiger Shark III RE-DHS3



Rear Carrier

P40



閃電二號
Lightning II YL-CSD2

P40



閃電一號
Lightning I YL-CSD1

P41



雷雨
Thunderstorm YL-CLY1

P41



飛雪
Blizzard YL-CFX1

P42



藍天一號
Blue Sky I YL-CLT1

P42



藍天二號
Blue Sky II YL-CLT2

P43



藍天三號
Blue Sky III YL-CLT3

P43



松下二號
Matsushita II YL-CSX2



P44



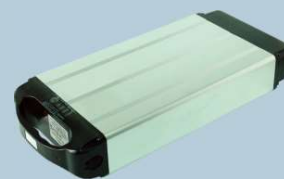
微風一號
Breeze I YL-CWF1

P44



微風二號
Breeze II YL-CWF2

P45



白雲一號
White Cloud I YL-CBY1

Rear Carrier

P45



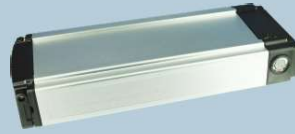
白雲二號
White Cloud II YL-CBY2

P46



天龍一號
Sky Dragon I SS-CTL1

P46



天龍三號
Sky Dragon III SS-CTL3

P47



吉龍一號
Lucky Dragon I SS-CJL1

P47



流星
Shooting Star YL-CLX1

P48



海豚一號
Dauphin I SS-CHT1

P48



海豚三號
Dauphin III SS-CHT3

P49



銀鯊一號
Silvertip Shark I SY-TYS1

P49



N115
N115 KN-CCB1

P50



Appolo
Appolo KN-CAP1



Multi-fit

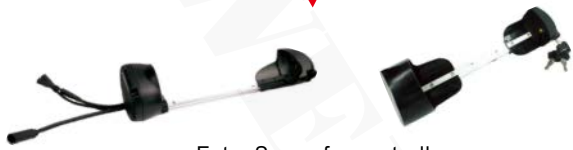
<p>P51</p>  <p>海馬 Seahorse YL-MHM1</p>	<p>P51</p>  <p>海星 Starfish YL-MHX1</p>	<p>P52</p>  <p>珊瑚 Coral YL-MSH1</p>	<p>P52</p>  <p>水母 Jellyfish YL-MSM1</p>
 <p>with Controller Box Base</p>		<p>P53</p>  <p>藍鯨 Blue Whale YL-MLJ1</p>	<p>P53</p>  <p>方包 Fangbao YL-MFB1</p>
		<p>Welding</p> 	<p>Clipping</p> 

Seat Post

<p>P54</p>  <p>鐵甲一號 Armour I YL-STJ1</p>	<p>P54</p>  <p>鐵甲二號 Armour II YL-STJ2</p>	<p>P55</p>  <p>銀魚一號 Whitebait I YL-SYY1</p>	
<p>P55</p>  <p>銀魚三號 Whitebait III YL-SYY3</p>	<p>P56</p>  <p>銀魚四號 Whitebait IV YL-SYY4</p>	<p>P56</p>  <p>櫻花 Sakura II WY-SYH2</p>	

▶ Waterproof Grade: IP 65 • Certifications: CE, EN ISO13849-1:2015, MSDS, UN38.3, IEC62133, ROHS, REACH
* Extra space for controller available

Water Bottle

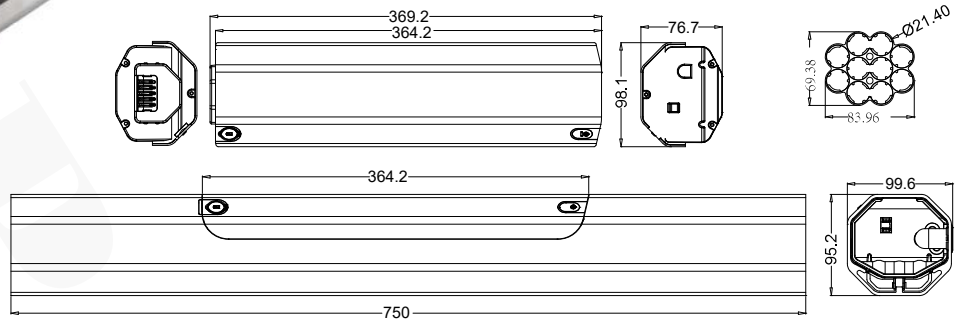


Extra Space for controller



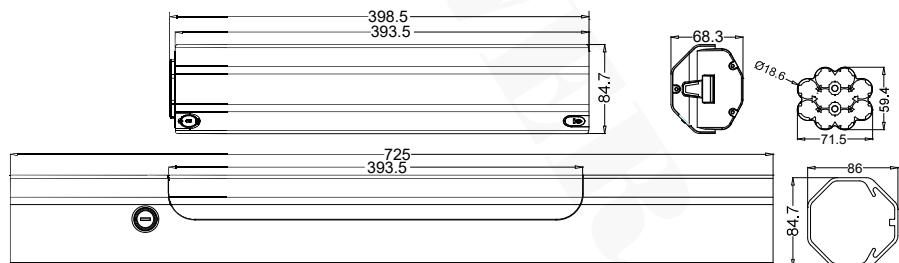
▶ Waterproof Grade: IP 65 · Certifications: CE, EN ISO13849-1:2015, MSDS, UN38.3, IEC62133, ROHS, REACH

* Extra space for controller available



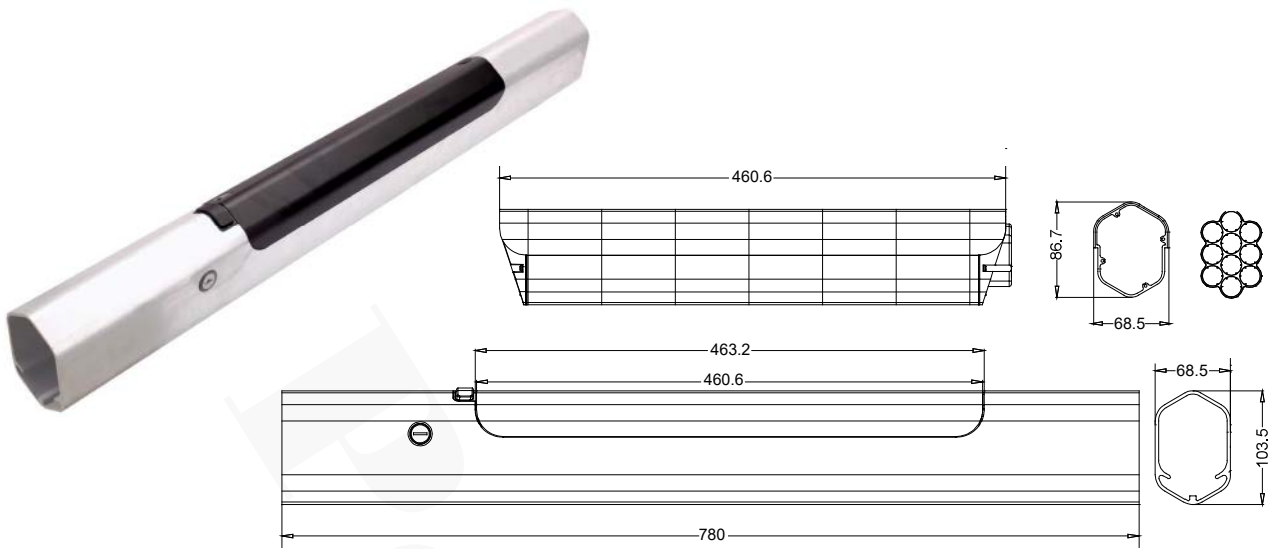
NEW

YL-TTP2 太平洋2號	
Model: YL-TTP2	Charge port: DC2.1/3PIN/5PIN
Maximum Cells: 18650 50 pcs	Discharge port: 5 Pin
Configurations: 10S5P	Rate: 11.0Ah - 17.5Ah
Lock: Mechanical Lock	LED indicator: Single LED (Tricolor)
Battery Materials: Aluminum Alloy 6063/PC+ABS	Down Tube Materials: Aluminum Alloy 6061



NEW

YL-TTP2M 太平洋2號 Max	
Model: YL-TTP2M	Charge port: DC2.1/3PIN/5PIN
Maximum Cells: 18650 60 pcs / 21700 50 pcs	Discharge port: 5 Pin
Configurations: 10S6P/10S5P	Rate: 13.2Ah - 21.0Ah / 25.0Ah
Lock: Mechanical Lock	LED indicator: 5 LED
Battery Materials: Aluminum Alloy 6063/PC+ABS	Down Tube Materials: Aluminum Alloy 6061

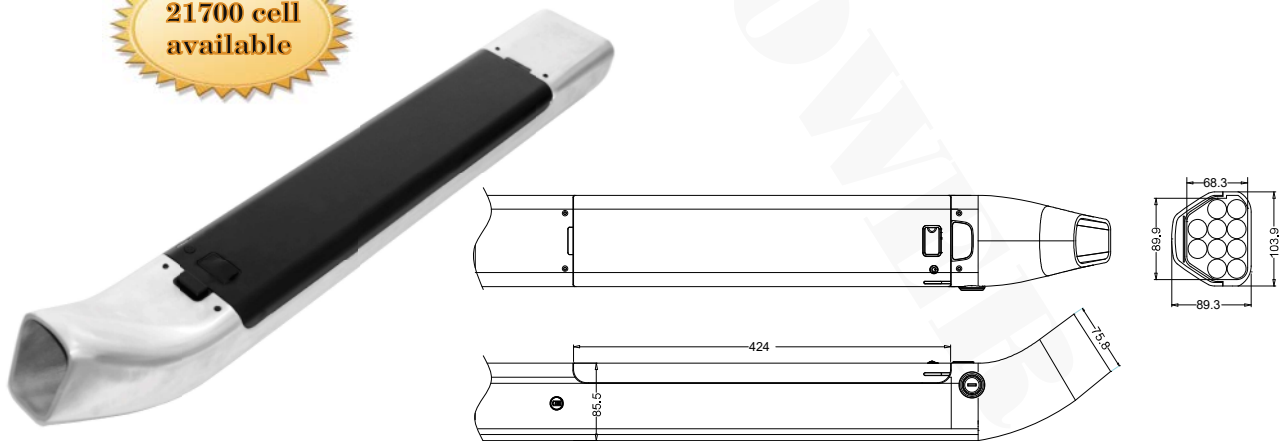


NEW

YL-TTP3 太平洋3號

Model: YL-TTP3	Charge port: DC2.1/3PIN/5PIN
Maximum Cells: 18650 50 pcs	Discharge port: 6 Pin
Configurations: 10S5P	Rate: 11.0Ah - 17.5Ah
Lock: Mechanical Lock	LED indicator: Single LED (Tricolor)
Battery Materials: Aluminum Alloy 6063/PC+ABS	Down Tube Materials: Aluminum Alloy 6061

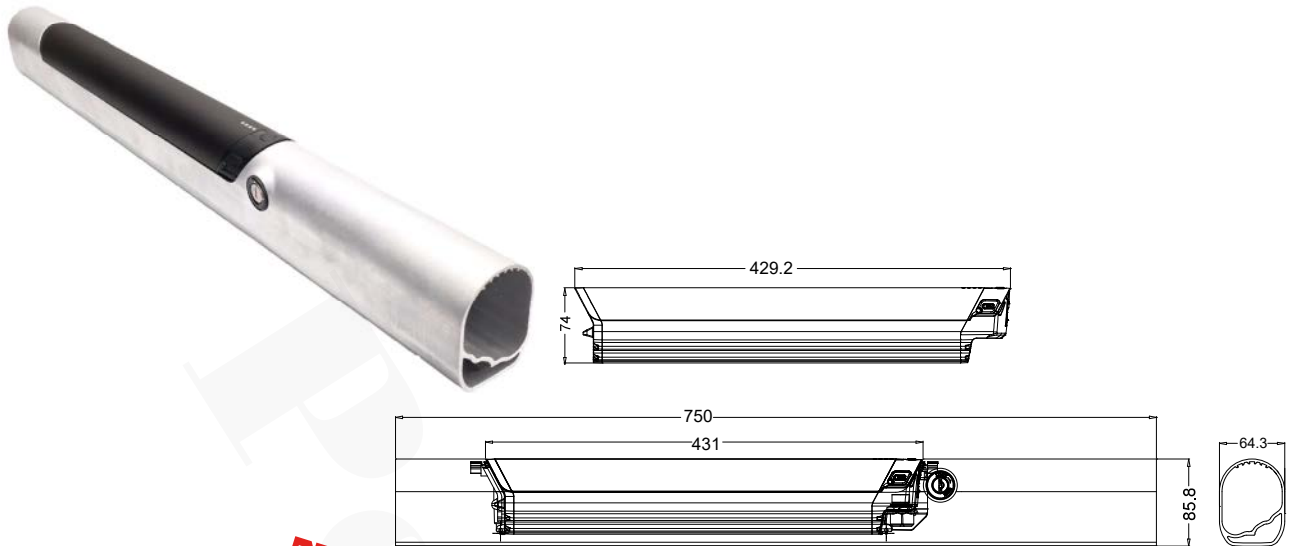
21700 cell available



NEW

YL-TYL1 翼龍1號

Model: YL-TYL1	Charge port: DC2.1/3PIN/5PIN
Maximum Cells: 21700 50 pcs	Discharge port: 5 Pin
Configurations: 10S5P	Rate: 25.0Ah
Lock: Mechanical Lock	LED indicator: 5 LED
Battery Materials: Aluminum Alloy 6063/PC+ABS	Down Tube Materials: Aluminum Alloy 6061



NEW

YL-TMY1 電鰻1號

Model: YL-TMY1	Charge port: DC2.1/3PIN/5PIN
Maximum Cells: 18650 50/60 pcs	Discharge port: 5 Pin
Configurations: 10S5P/10S6P	Rate: 11.0Ah - 17.5Ah / 13.2Ah - 21.0Ah
Lock: Mechanical Lock	LED indicator: Single LED (Tricolor)
Battery Materials: Aluminum Alloy 6063/PC+ABS	Down Tube Materials: Aluminum Alloy 6061

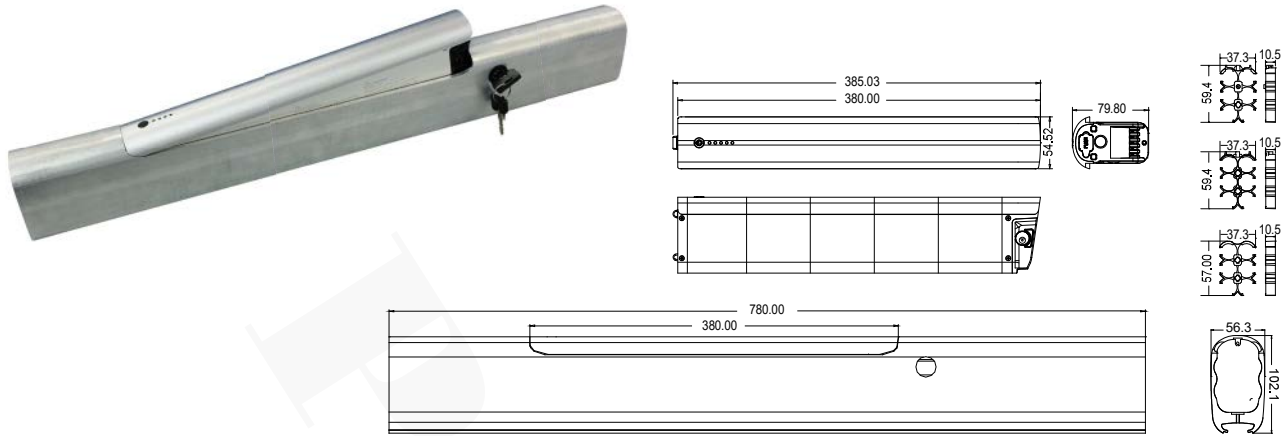


21700 cell available

NEW

YL-TMY2 電鰻2號

Model: YL-TMY2	Charge port: DC2.1/3PIN/5PIN
Maximum Cells: 21700 40 pcs	Discharge port: 5 Pin
Configurations: 10S4P	Rate: 20.0Ah
Lock: Mechanical Lock	LED indicator: Single LED (Tricolor)
Battery Materials: Aluminum Alloy 6063/PC+ABS	Down Tube Materials: Aluminum Alloy 6061



Down Tube Weight(kg): 3.36

YL-TFH1 鳳凰1號

Model: YL-TFH1

Charge port: DC2.1/3PIN/5PIN

Maximum Cells: 18650 30 pcs

Discharge port: 5 Pin

Configurations: 10S3P

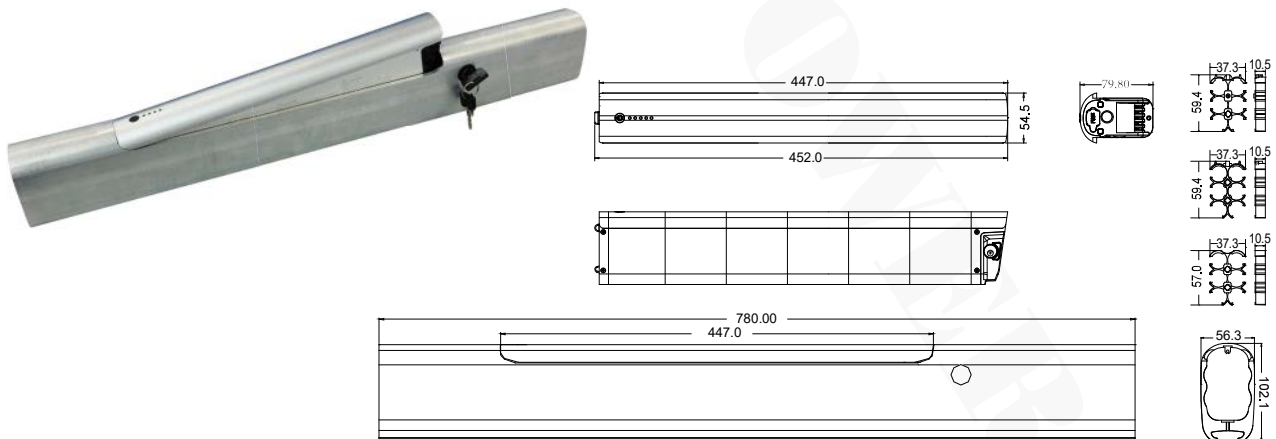
Rate: 6.6Ah - 10.5Ah

Lock: Mechanical Lock

LED indicator: 5 LED

Battery Materials: Aluminum Alloy 6063/PC+ABS

Down Tube Materials: Aluminum Alloy 6061



Down Tube Weight(kg): 3.36

YL-TFH2 鳳凰2號

Model: YL-TFH2

Charge port: DC2.1/3PIN/5PIN

Maximum Cells: 18650 40 pcs

Discharge port: 5 Pin

Configurations: 10S4P

Rate: 8.8Ah - 14.0Ah

Lock: Mechanical Lock

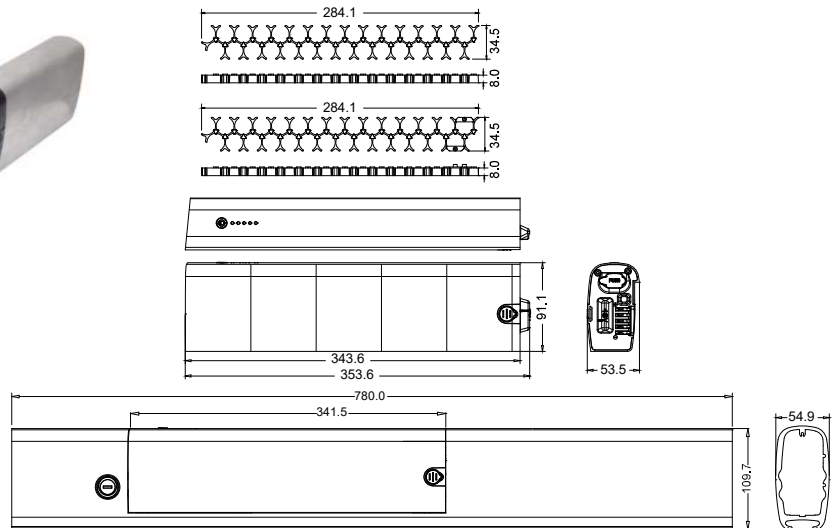
LED indicator: 5 LED

Battery Materials: Aluminum Alloy 6063/PC+ABS

Down Tube Materials: Aluminum Alloy 6061

Black Warrior I Series

In-frame Battery Packs



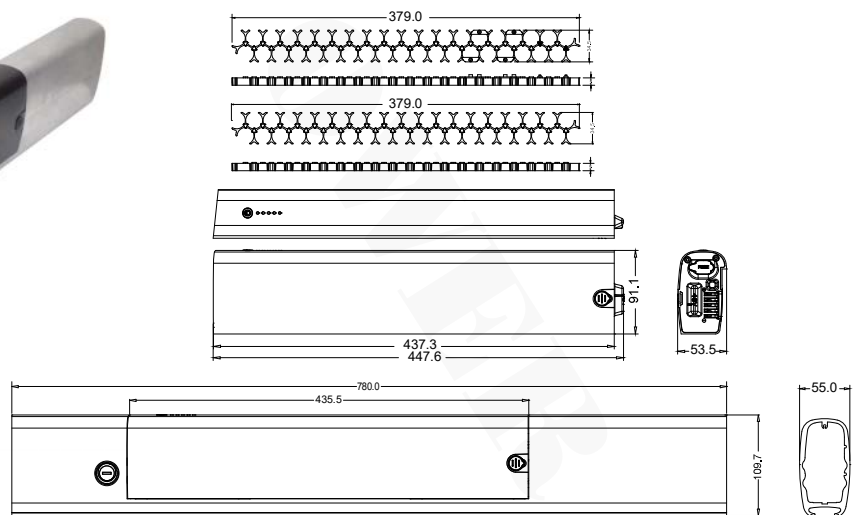
Down Tube Weight(kg): 2.1

YL-TXW1 玄武1號

Model: YL-TXW1	Charge port: DC2.1/3PIN/5PIN
Maximum Cells: 18650 30 pcs	Discharge port: 5 Pin
Configurations: 10S3P	Rate: 6.6Ah - 10.5Ah
Lock: Mechanical Lock	LED indicator: 5 LED
Battery Materials: Aluminum Alloy 6063/PC+ABS	Down Tube Materials: Aluminum Alloy 6061

Black Warrior II Series

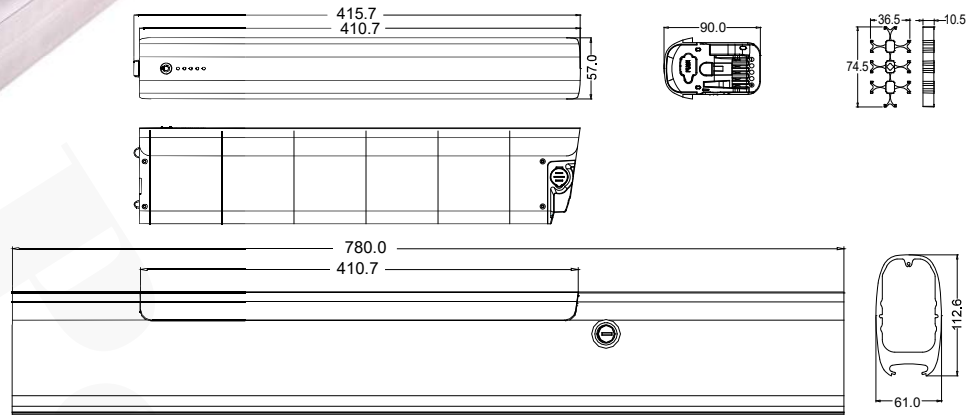
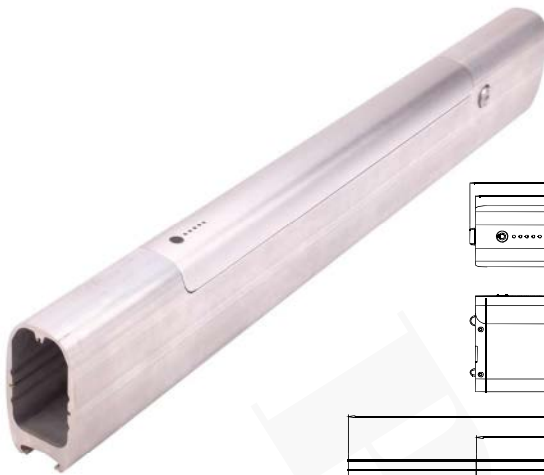
In-frame Battery Packs



Down Tube Weight(kg): 2.1

YL-TXW2 玄武2號

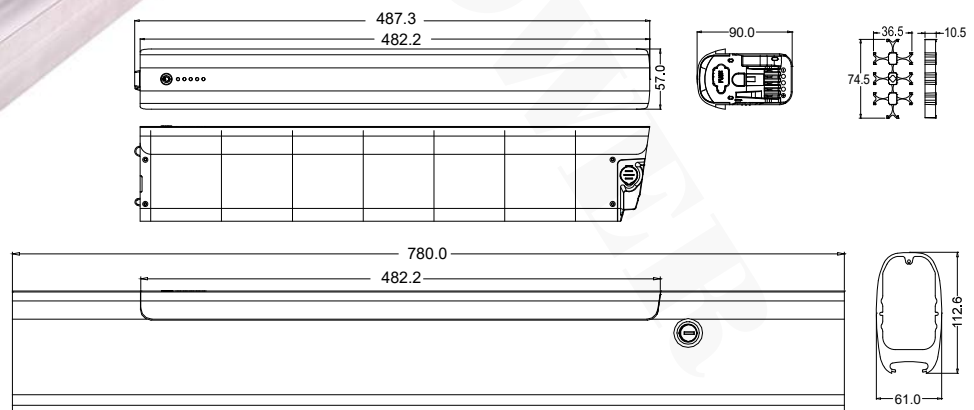
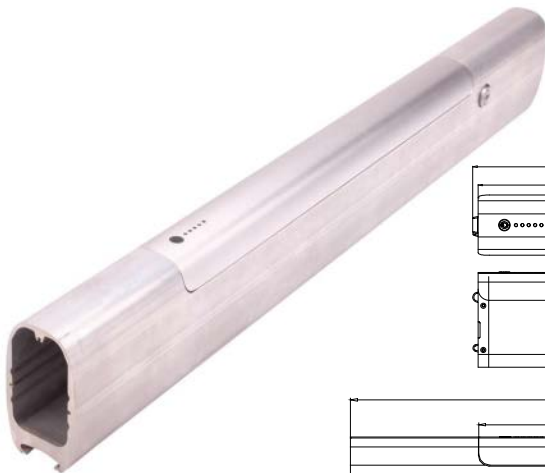
Model: YL-TXW2	Charge port: DC2.1/3PIN/5PIN
Maximum Cells: 18650 39/40 pcs	Discharge port: 5 Pin
Configurations: 10S4P / 13S3P	Rate: 8.8Ah - 14.0Ah / 6.6Ah - 10.5Ah
Lock: Mechanical Lock	LED indicator: 5 LED
Battery Materials: Aluminum Alloy 6063/PC+ABS	Down Tube Materials: Aluminum Alloy 6061



Down Tube Weight(kg): 3.42

YL-TDJ1 獨角獸1號

Model: YL-TDJ1	Charge port: DC2.1/3PIN/5PIN
Maximum Cells: 18650 40 pcs	Discharge port: 5 Pin
Configurations: 10S4P	Rate: 8.8Ah - 14.0Ah
Lock: Mechanical Lock	LED indicator: 5 LED
Battery Materials: Aluminum Alloy 6063/PC+ABS	Down Tube Materials: Aluminum Alloy 6061



Down Tube Weight(kg): 3.42

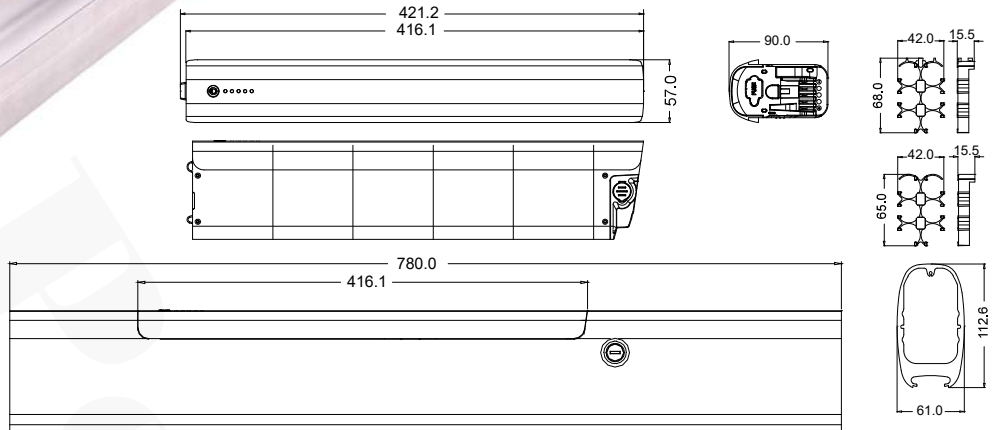
YL-TDJ2 獨角獸2號

Model: YL-TDJ2	Charge port: DC2.1/3PIN/5PIN
Maximum Cells: 18650 50 pcs	Discharge port: 5 Pin
Configurations: 10S5P	Rate: 11.0Ah - 17.5Ah
Lock: Mechanical Lock	LED indicator: 5 LED
Battery Materials: Aluminum Alloy 6063/PC+ABS	Down Tube Materials: Aluminum Alloy 6061

Unicorn III Series

In-frame Battery Packs

21700 cell available



Down Tube Weight(kg): 3.42

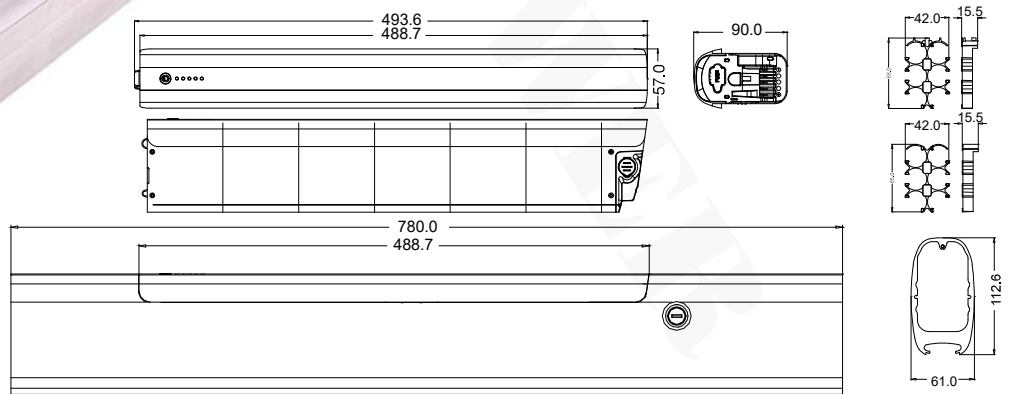
YL-TDJ3 獨角獸3號

Model: YL-TDJ3	Charge port: DC2.1/3PIN/5PIN
Maximum Cells: 21700 30 pcs	Discharge port: 5 Pin
Configurations: 10S3P	Rate: 15.0Ah
Lock: Mechanical Lock	LED indicator: 5 LED
Battery Materials: Aluminum Alloy 6063/PC+ABS	Down Tube Materials: Aluminum Alloy 6061

Unicorn IV Series

In-frame Battery Packs

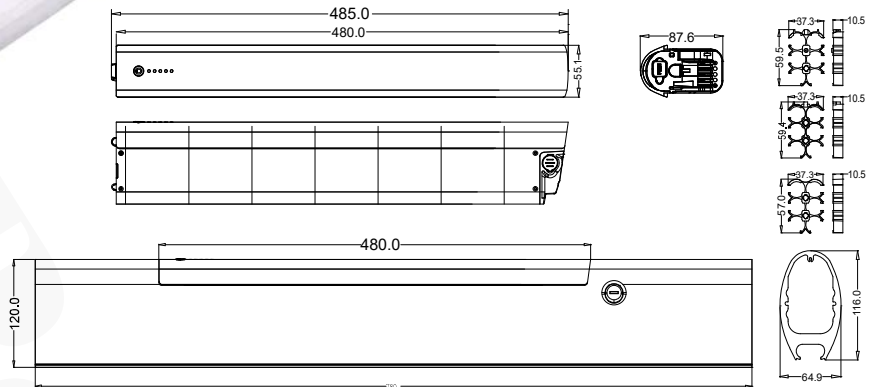
21700 cell available



Down Tube Weight(kg): 3.42

YL-TDJ4 獨角獸4號

Model: YL-TDJ4	Charge port: DC2.1/3PIN/5PIN
Maximum Cells: 21700 40 pcs	Discharge port: 5 Pin
Configurations: 10S4P	Rate: 20.0Ah
Lock: Mechanical Lock	LED indicator: 5 LED
Battery Materials: Aluminum Alloy6063/PC+ABS	Down Tube Materials: Aluminum Alloy 6061



Down Tube Weight(kg): 3.92

YL-TBH1 白虎

Model: YL-TBH1

Charge port: DC2.1/3PIN/5PIN

Maximum Cells: 18650 39/40 pcs

Discharge port: 5 Pin

Configurations: 13S3P / 10S4P

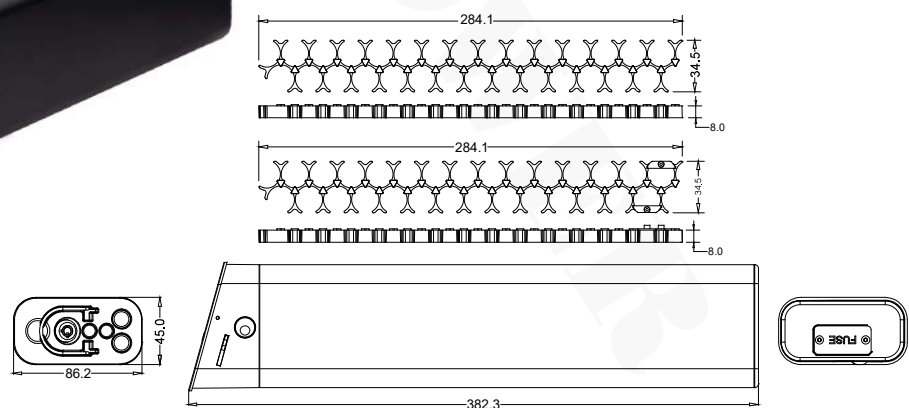
Rate: 6.6Ah - 10.5Ah / 8.8Ah - 14.0Ah

Lock: Mechanical Lock

LED indicator: 5 LED

Battery Materials: Aluminum Alloy 6063/PC+ABS

Down Tube Materials: Aluminum Alloy 6061



YL-TFY1 飛魚

Model: YL-TFY1

Charge port: DC2.5 / DC2.1/3PIN/5PIN

Maximum Cells: 18650 28/30 pcs

Discharge port: 4 Pin

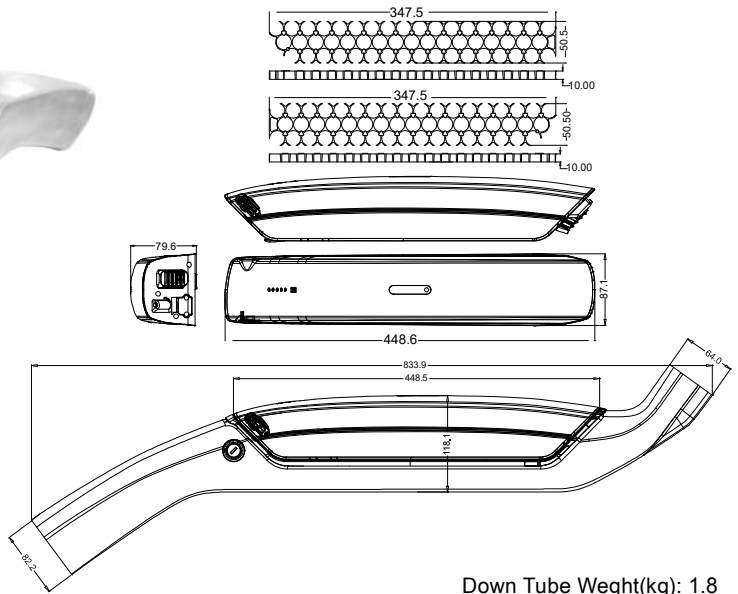
Configurations: 7S4P / 10S3P

Rate: 8.8Ah - 14.0Ah / 6.6Ah - 10.5Ah

Lock: Mechanical Lock

LED indicator: /

Battery Materials: Aluminum Alloy 6063/PC+ABS



Down Tube Weight(kg): 1.8

YL-TLS1 雷蛇

Model: YL-TLS1

Charge port: DC2.1/3PIN/5PIN

Maximum Cells: 18650 50/52 pcs

Discharge port: 5 Pin

Configurations: 10S5P / 13S4P

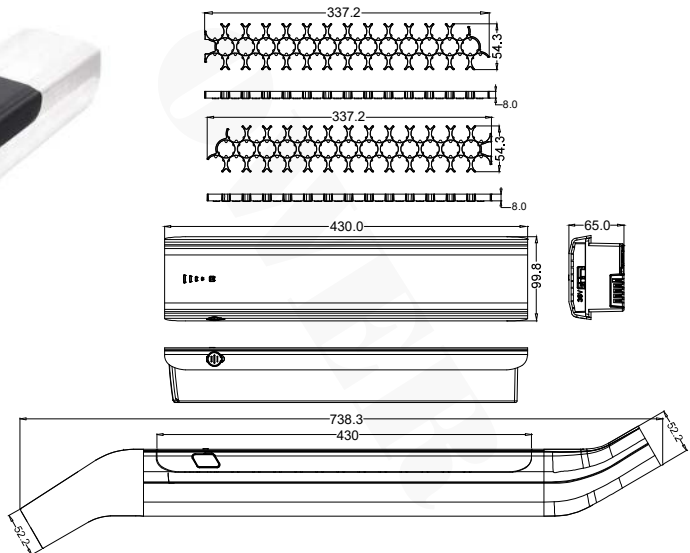
Rate: 11.0Ah - 17.5Ah / 8.8Ah - 14.0Ah

Lock: Mechanical Lock

LED indicator: 5 LED

Battery Materials: PC+ABS

Down Tube Materials: Aluminum Alloy 6061



YL-TBJ1 寶劍

Model: YL-TBJ1

Charge port: DC2.1/3PIN/5PIN

Maximum Cells: 18650 50 / 21700 40 pcs

Discharge port: 5 Pin

Configurations: 10S5P / 10S4P

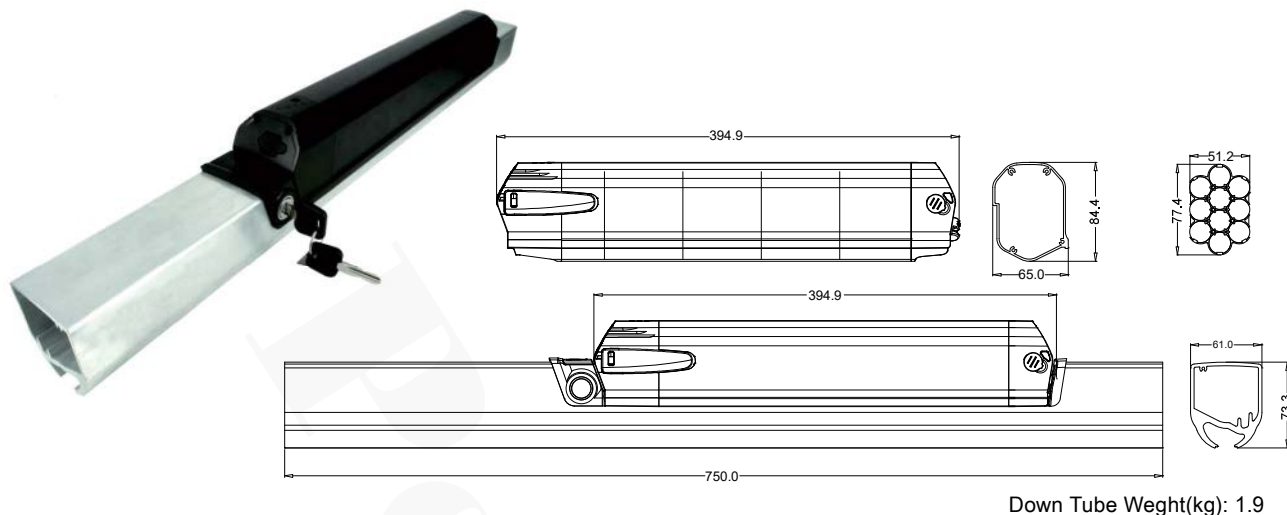
Rate: 11.0Ah - 17.5Ah / 20.0Ah

Lock: Mechanical Lock

LED indicator: 4 LED

Battery Materials: Aluminum Alloy 6063/PC+ABS

Down Tube Materials: Aluminum Alloy 6061



YL-TSL1 神龍1號

Model: YL-TSL1

Charge port: DC2.1/3PIN/5PIN

Maximum Cells: 18650 39/40 pcs

Discharge port: 5 Pin

Configurations: 13S3P / 10S4P

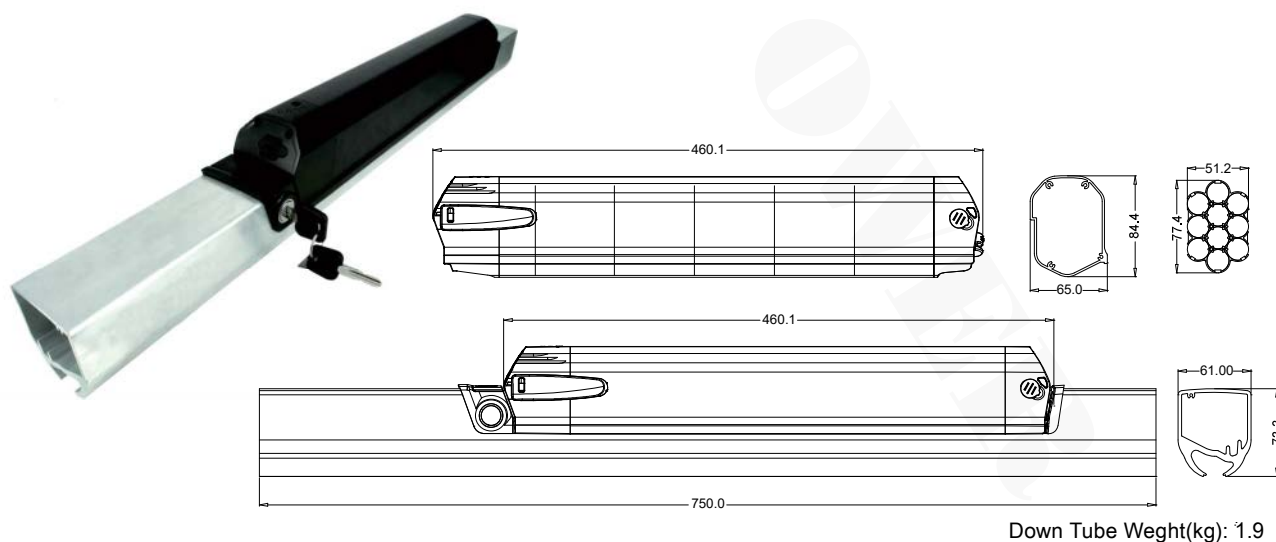
Rate: 6.6Ah - 10Ah / 8.8Ah - 14.0Ah

Lock: Mechanical Lock

LED indicator: 4 LED

Battery Materials: Aluminum Alloy 6063/PC+ABS

Down Tube Materials: Aluminum Alloy 6061



YL-TSL2 神龍2號

Model: YL-TSL2

Charge port: DC2.1/3PIN/5PIN

Maximum Cells: 18650 50/52 pcs

Discharge port: 5 Pin

Configurations: 10S5P/13S4P

Rate: 11.0Ah - 17.5Ah / 8.8Ah - 14.0Ah

Lock: Mechanical Lock

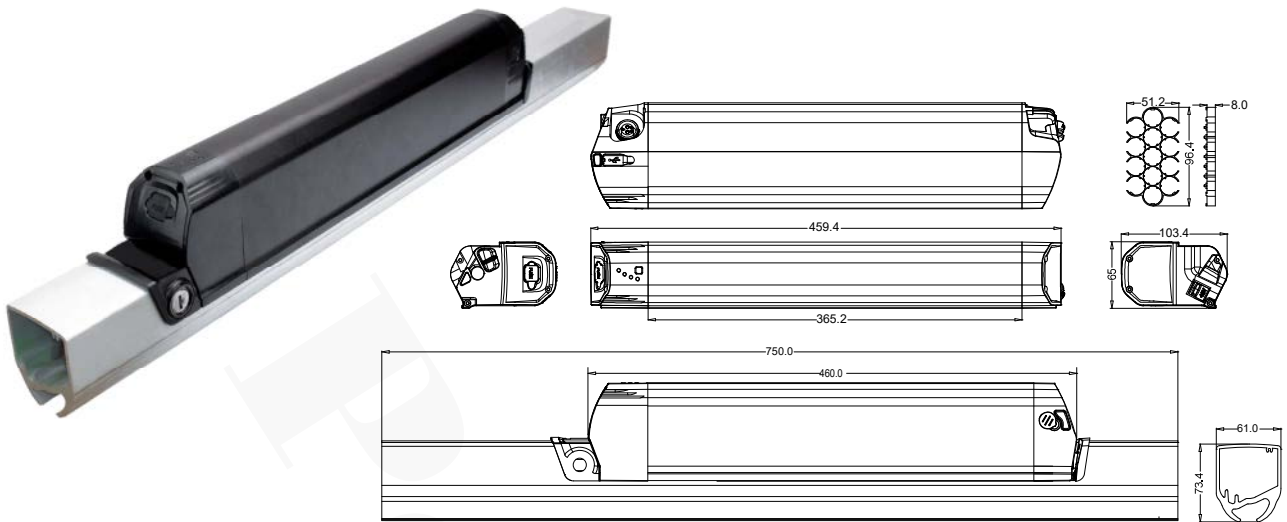
LED indicator: 4 LED

Battery Materials: Aluminum Alloy 6063/PC+ABS

Down Tube Materials: Aluminum Alloy 6061

Dragon III Series

In-frame Battery Packs



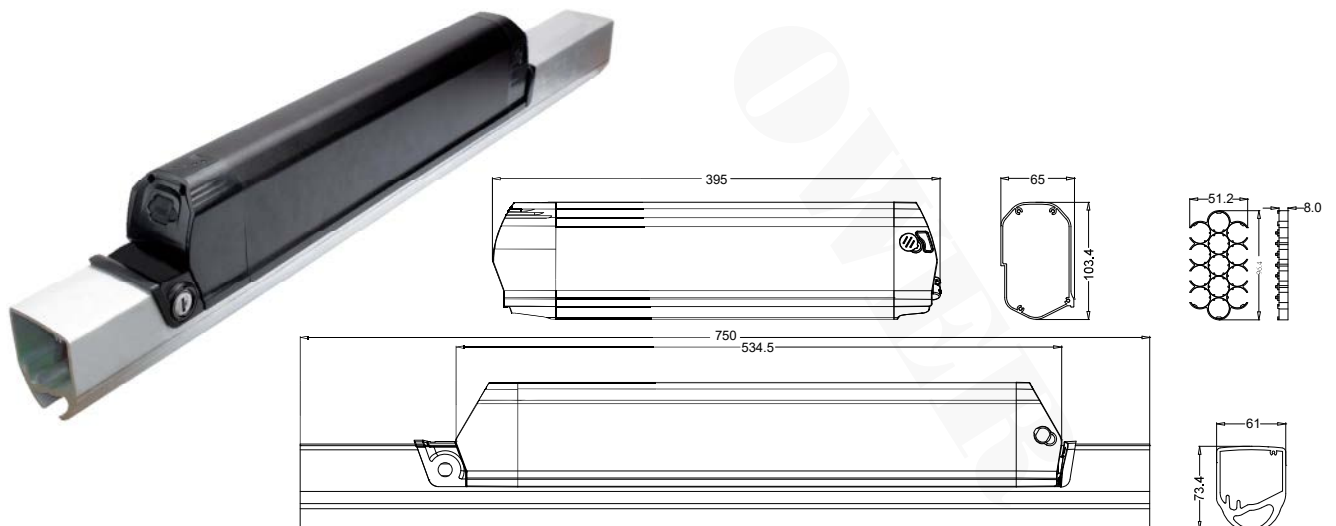
Down Tube Weight(kg): 1.9

YL-TSL3 神龍3號

Model: YL-TSL3	Charge port: DC2.1/3PIN/5PIN
Maximum Cells: 18650 60/65 pcs	Discharge port: 5 Pin
Configurations: 10S6P / 13S5P	Rate: 13.2Ah - 21.0Ah / 11.0Ah - 17.5Ah
Lock: Mechanical Lock	LED indicator: 4 LED
Battery Materials: Aluminum Alloy 6063/PC+ABS	Down Tube Materials: Aluminum Alloy 6061

Dragon IV Series

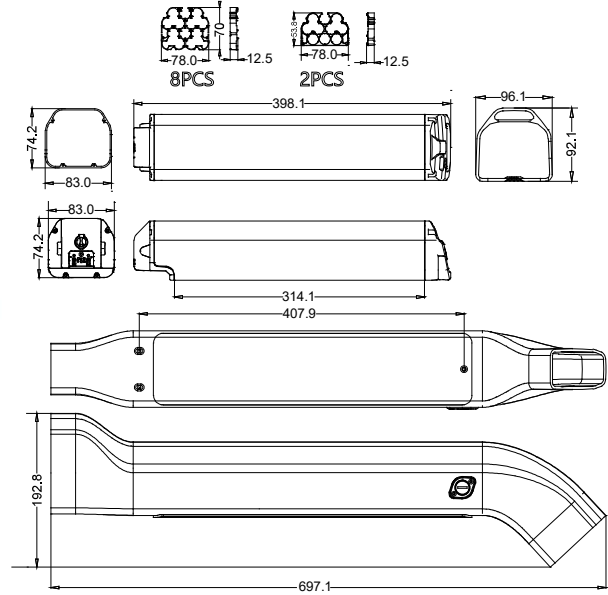
In-frame Battery Packs



Down Tube Weight(kg): 1.9

YL-TSL4 神龍4號

Model: YL-TSL4	Charge port: DC2.1/3PIN/5PIN
Maximum Cells: 18650 50/52 pcs	Discharge port: 5 Pin
Configurations: 10S5P/13S4P	Rate: 11.0Ah - 17.5Ah / 8.8Ah - 14.0Ah
Lock: Mechanical Lock	LED indicator: 4 LED
Battery Materials: Aluminum Alloy 6063/PC+ABS	Down Tube Materials: Aluminum Alloy 6061



SS-TSN1 索尼1號

Model: SS-TSN1

Charge port: DC2.1/3PIN/5PIN

Maximum Cells: 18650 40/52 pcs

Discharge port: 7 Pin

Configurations: 10S4P / 13S4P

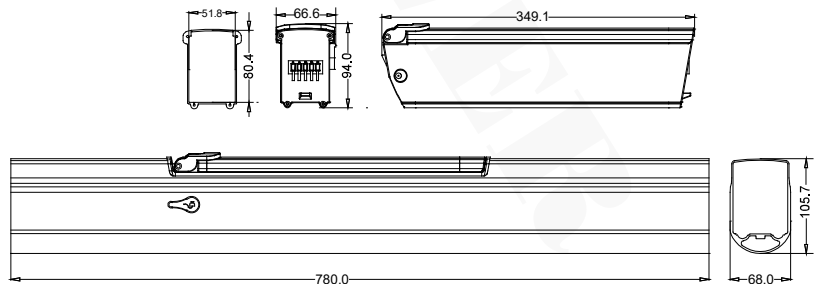
Rate: 8.8Ah - 14.0Ah / 8.8Ah - 14.0Ah

Lock: Spring Lock

LED indicator: /

Battery Materials: Aluminum Alloy 6063/PC+ABS

Down Tube Materials: Aluminum Alloy 6061



Down Tube Weight(kg): 2.7

SS-TLS1 廬山1號

Model: SS-TLS1

Charge port: DC2.1/3PIN/5PIN

Maximum Cells: 18650 39/40 pcs

Discharge port: 5 Pin

Configurations: 13S3P / 10S4P

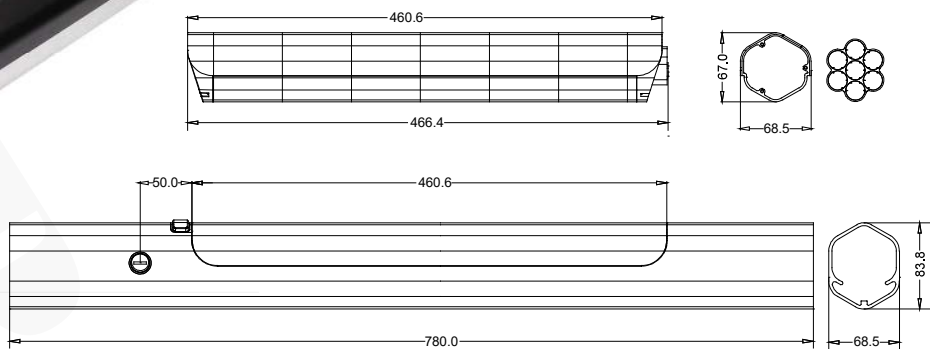
Rate: 6.6Ah - 10.5Ah / 8.8Ah - 14.0Ah

Lock: Spring Lock

LED indicator: 4 LED

Battery Materials: Aluminum Alloy 6063/PC+ABS

Down Tube Materials: Aluminum Alloy 6061



SS-TNY1 南洋1號

Model: SS-TNY1

Charge port: DC2.1/3PIN/5PIN

Maximum Cells: 18650 40 pcs

Discharge port: 5 Pin

Configurations: 10S4P

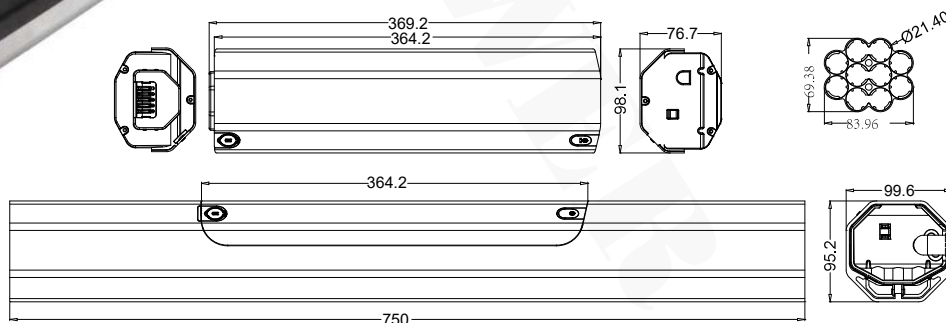
Rate: 8.8Ah - 14.0Ah

Lock: Mechanical Lock

LED indicator: Single LED (Tricolor)

Battery Materials: Aluminum Alloy 6063/PC+ABS

Down Tube Materials: Aluminum Alloy 6061



SS-TNY2 南洋2號

Model: SS-TNY2

Charge port: DC2.1/3PIN/5PIN

Maximum Cells: 18650 40/50 pcs

Discharge port: 5 Pin

Configurations: 10S4P / 10S5P

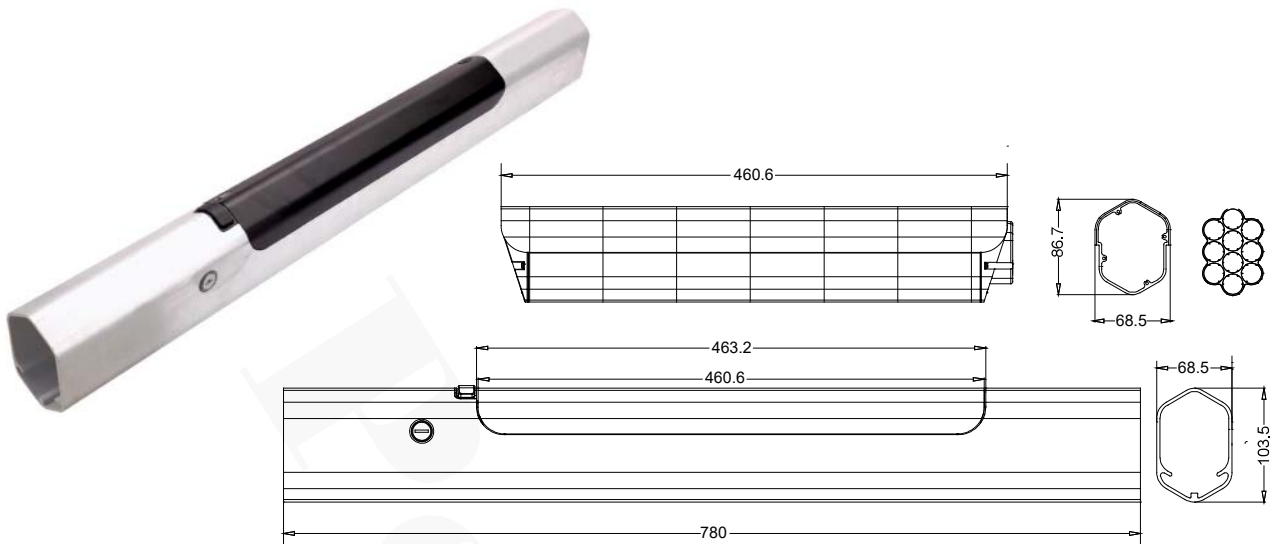
Rate: 8.8Ah - 14.0Ah / 11.0Ah - 17.5Ah

Lock: Mechanical Lock

LED indicator: Single LED (Tricolor)

Battery Materials: Aluminum Alloy 6063/PC+ABS

Down Tube Materials: Aluminum Alloy 6061



SS-TNY3 南洋3號

Model: SS-TNY3

Charge port: DC2.1/3PIN/5PIN

Maximum Cells: 18650 50/60 pcs

Discharge port: 5 Pin

Configurations: 10S5P/10S6P

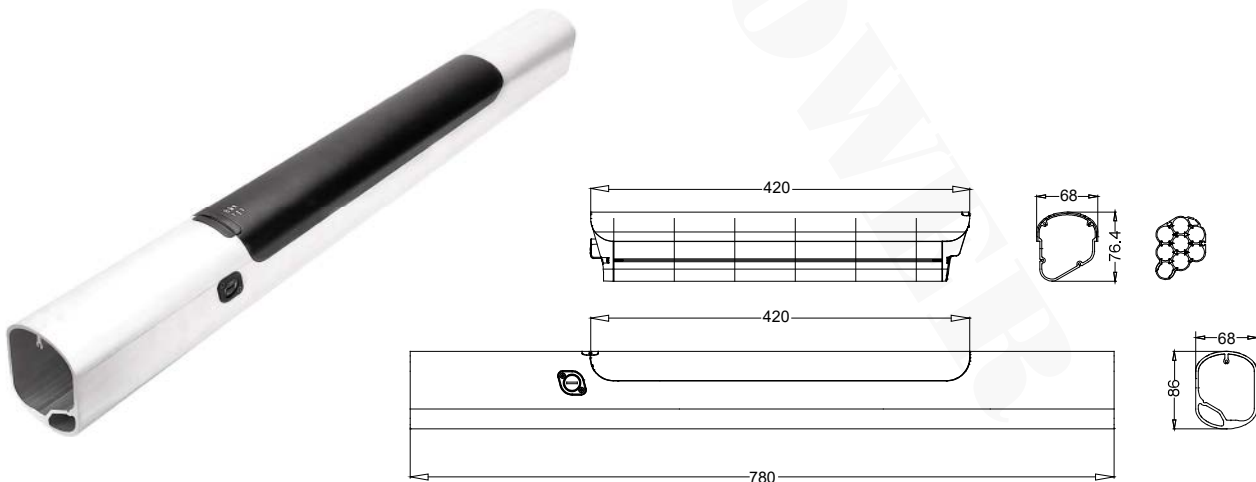
Rate: 11.0Ah - 17.5Ah / 13.2Ah - 21.0Ah

Lock: Mechanical Lock

LED indicator: Single LED (Tricolor)

Battery Materials: Aluminum Alloy 6063/PC+ABS

Down Tube Materials: Aluminum Alloy 6061



SS-TNY4 南洋4號

Model: SS-TNY4

Charge port: DC2.1/3PIN/5PIN

Maximum Cells: 18650 30/40 pcs

Discharge port: 7 Pin

Configurations: 10S3P / 10S4P

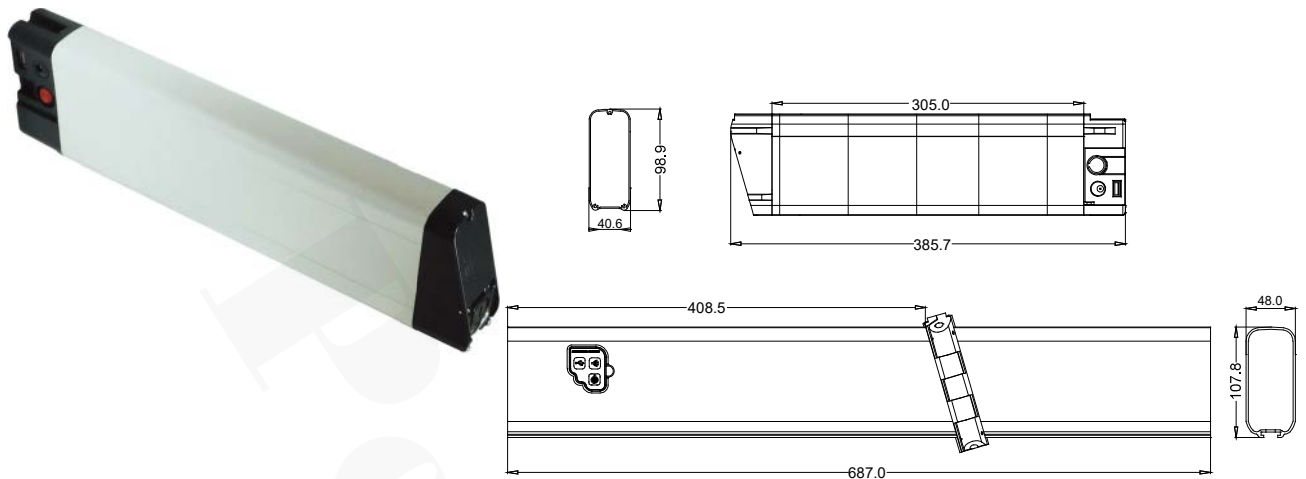
Rate: 6.6Ah - 10.5Ah / 8.8Ah - 14.0Ah

Lock: Spring Lock

LED indicator: Single LED (Tricolor)

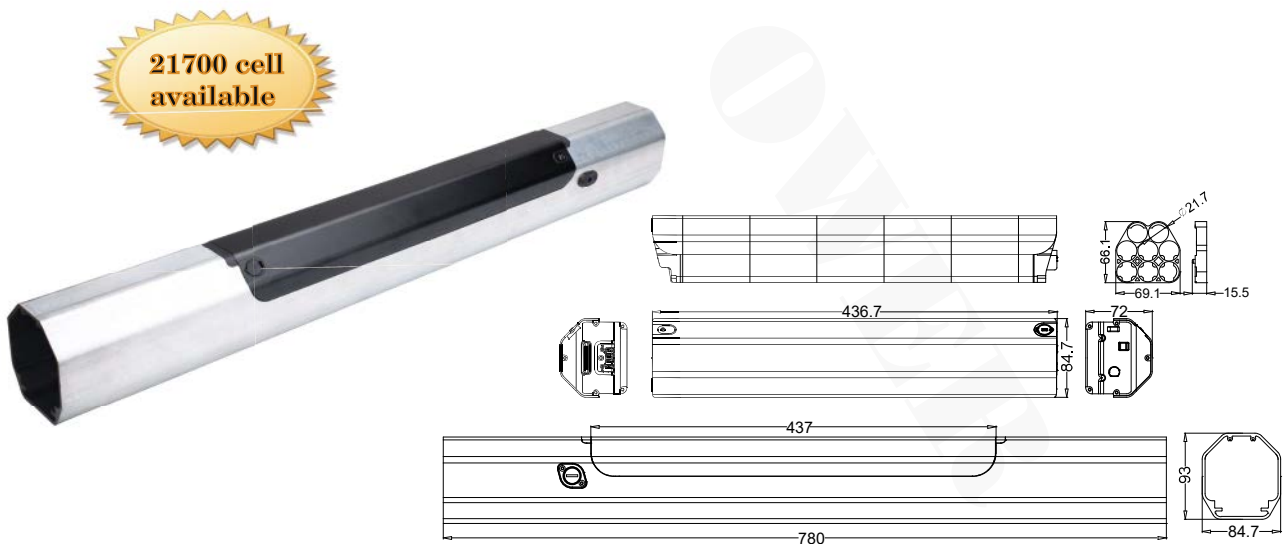
Battery Materials: Aluminum Alloy 6063/PC+ABS

Down Tube Materials: Aluminum Alloy 6061



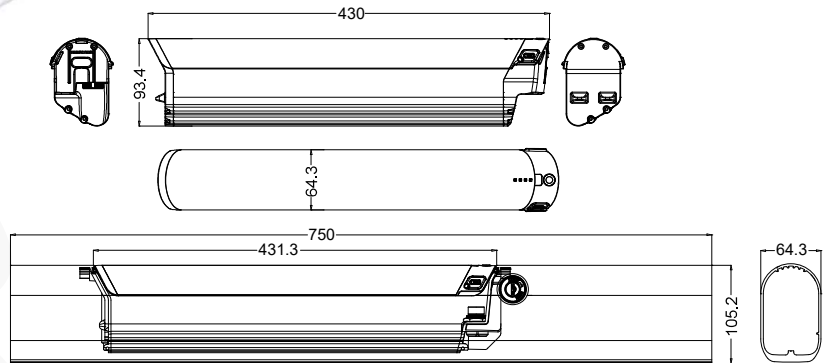
SS-TCZ1 長征1號

Model: SS-TCZ1	Charge port: DC2.1/3PIN/5PIN
Maximum Cells: 18650 40 pcs	Discharge port: 2 Pin
Configurations: 10S4P	Rate: 8.8Ah - 14.0Ah
Lock: Mechanical Lock	LED indicator: /
Battery Materials: Aluminum Alloy 6063/PC+ABS	Down Tube Materials: Aluminum Alloy 6061



SS-TCL1 長龍1號

Model: SS-TCL1	Charge port: DC2.1/3PIN/5PIN
Maximum Cells: 21700 40 pcs	Discharge port: 6 Pin
Configurations: 10S4P	Rate: 20.0Ah
Lock: Mechanical Lock	LED indicator: 4 LED
Battery Materials: Aluminum Alloy 6063/PC+ABS	Down Tube Materials: Aluminum Alloy 6061



RE-TMY1P 鰻魚-Pro

Model: RE-TMY1P

Charge port: DC2.1/3PIN/5PIN

Maximum Cells: 18650 50/52 pcs

Discharge port: 5 Pin

Configurations: 10S5P/13S4P

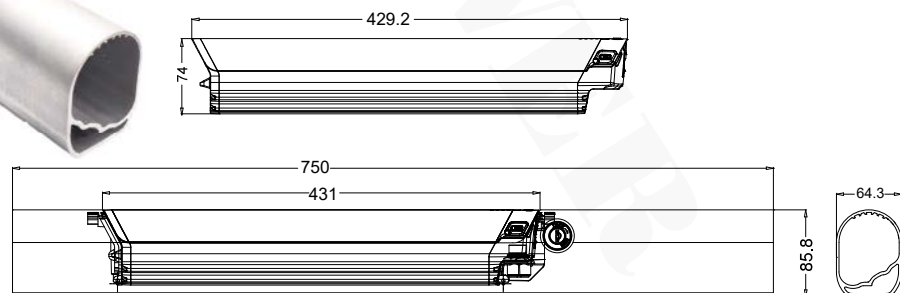
Rate: 11.0Ah - 17.5Ah / 8.8Ah - 14.0Ah

Lock: Mechanical Lock

LED indicator: Single LED (Tricolor)

Battery Materials: Aluminum Alloy 6063/PC+ABS

Down Tube Materials: Aluminum Alloy 6061



Down Tube Weight(kg): 1.6

RE-TMY1S 鰻魚-Mini

Model: RE-TMY1S

Charge port: DC2.1/3PIN/5PIN

Maximum Cells: 18650 30/40 pcs

Discharge port: 5 Pin

Configurations: 10S3P / 10S4P

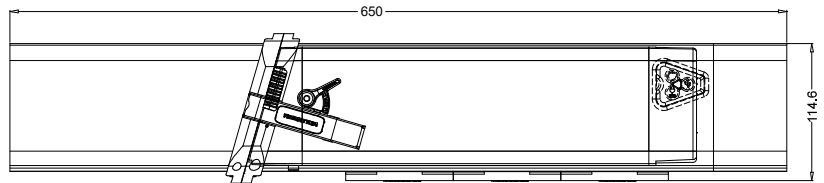
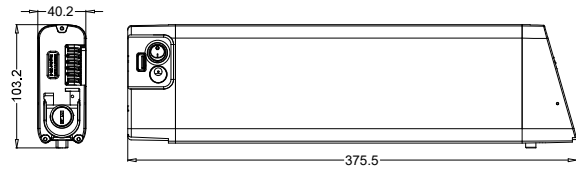
Rate: 6.6Ah - 10.5Ah / 8.8Ah - 14.0Ah

Lock: Mechanical Lock

LED indicator: Single LED (Tricolor)

Battery Materials: Aluminum Alloy 6063/PC+ABS

Down Tube Materials: Aluminum Alloy 6061



RE-TLJ1 利劍

Model: RE-TLJ1

Charge port: DC2.1/3PIN/5PIN

Maximum Cells: 18650 40 pcs

Discharge port: 6 Pin

Configurations: 10S4P

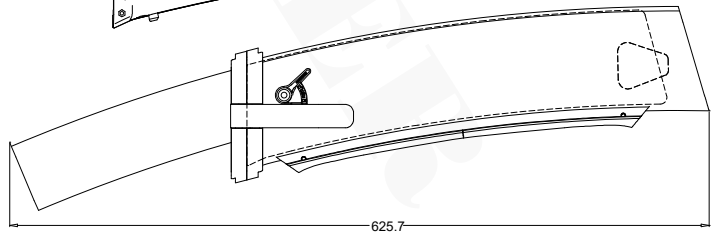
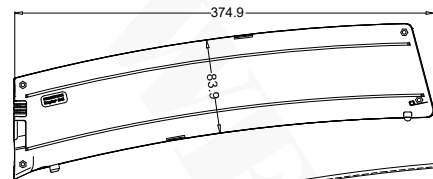
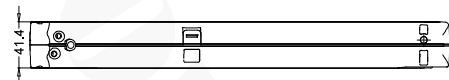
Rate: 8.8Ah - 14.0Ah

Lock: Mechanical Lock

LED indicator: /

Battery Materials: Aluminum Alloy 6063/PC+ABS

Down Tube Materials: Aluminum Alloy 6061



RE-TBY1 半月

Model: RE-TBY1

Charge port: DC2.1/3PIN/5PIN

Maximum Cells: 18650 30 pcs

Discharge port: 2 Pin

Configurations: 10S3P

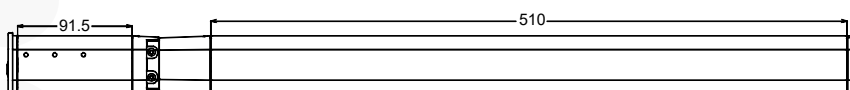
Rate: 6.6Ah - 10.5Ah

Lock: Mechanical Lock

LED indicator: /

Battery Materials: PC+ABS

Down Tube Materials: Aluminum Alloy 6061



RE-TQT2 蜻蜓2號

Model: RE-TQT2

Charge port: DC2.1/3PIN/5PIN

Maximum Cells: 18650 20 pcs

Discharge port: 5 Pin

Configurations: 10S2P

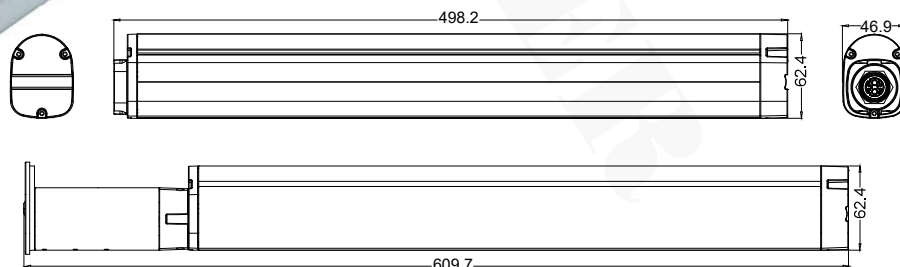
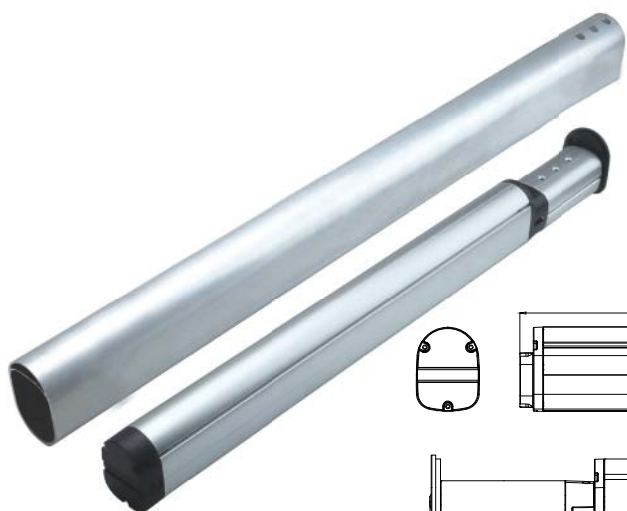
Rate: 4.4Ah - 7.0Ah

Lock: Mechanical Lock

LED indicator: /

Battery Materials: Aluminum Alloy 6063/PC+ABS

Down Tube Materials: Aluminum Alloy 6061



RE-TQT3 蜻蜓3號

Model: RE-TQT3

Charge port: DC2.5 / DC2.1/3PIN/5PIN

Maximum Cells: 18650 28/30 pcs

Discharge port: 2 Pin

Configurations: 7S4P / 10S3P

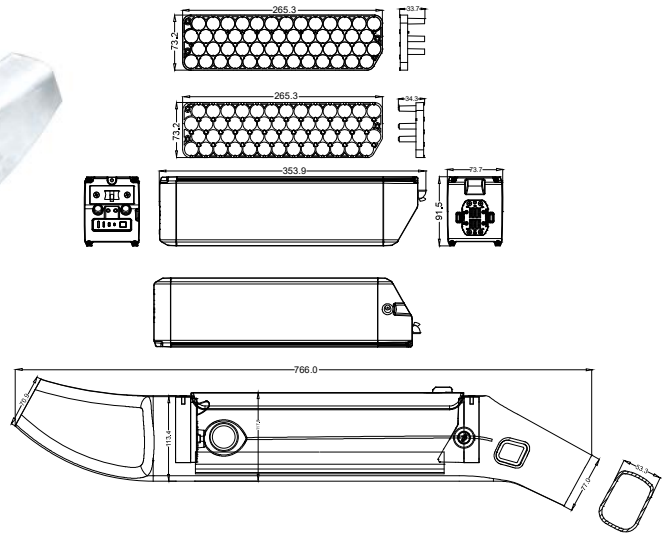
Rate: 8.8Ah - 14.0Ah / 6.6Ah - 10.5Ah

Lock: Mechanical Lock

LED indicator: /

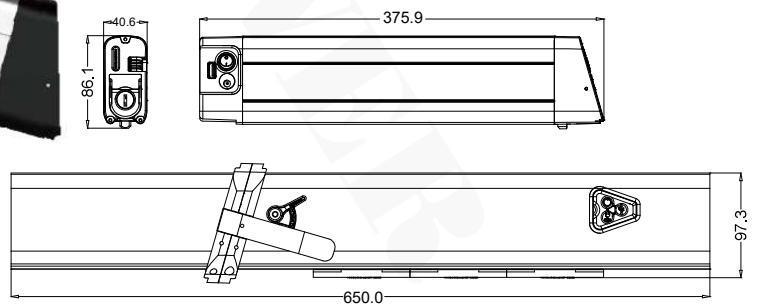
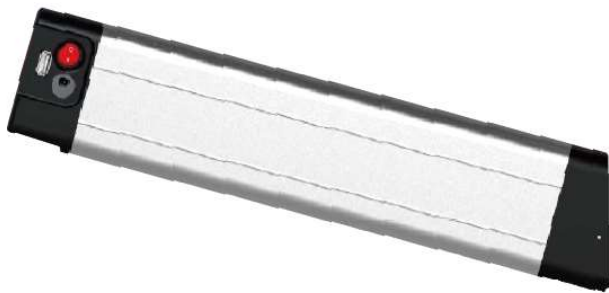
Battery Materials: Aluminum Alloy 6063/PC+ABS

Down Tube Materials: Aluminum Alloy 6061



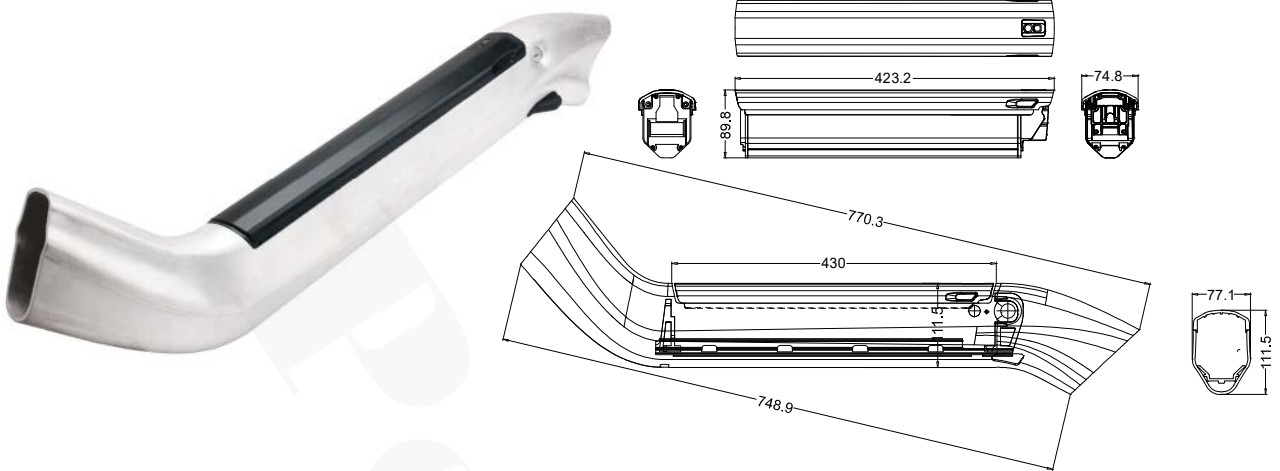
RE-TXN1 犀牛1號

Model: RE-TXN1	Charge port: DC2.1/3PIN/5PIN
Maximum Cells: 18650 50/52 pcs	Discharge port: 6 Pin
Configurations: 10S5P/13S4P	Rate: 11.0Ah - 17.5Ah / 8.8Ah - 14.0Ah
Lock: Mechanical Lock	LED indicator: 4 LED
Battery Materials: Aluminum Alloy 6063/PC+ABS	Down Tube Materials: Aluminum Alloy 6061



RE-TLR1 利刃

Model: RE-TLR1	Charge port: DC2.1/3PIN/5PIN
Maximum Cells: 18650 30 pcs	Discharge port: 2 Pin
Configurations: 10S3P	Rate: 6.6Ah - 10.5Ah
Lock: Mechanical Lock	LED indicator: /
Battery Materials: Aluminum Alloy 6063/PC+ABS	Down Tube Materials: Aluminum Alloy 6061



SY-THT1 海豚

Model: SY-THT1

Charge port: DC2.1/3PIN/5PIN

Maximum Cells: 18650 50 pcs

Discharge port: 4 Pin

Configurations: 10S5P

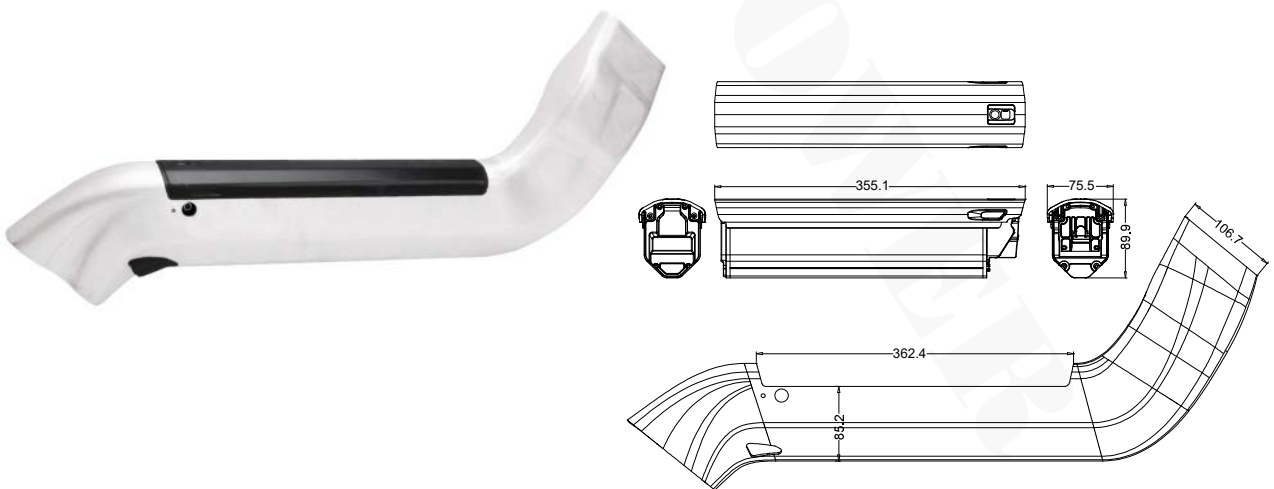
Rate: 11.0Ah - 17.5Ah

Lock: Mechanical Lock

LED indicator: Single LED (Tricolor)

Battery Materials: Aluminum Alloy 6063/PC+ABS

Down Tube Materials: Aluminum Alloy 6061



SY-TTE1 天鵝

Model: SY-TTE1

Charge port: DC2.1/3PIN/5PIN

Maximum Cells: 18650 40 pcs

Discharge port: 6 Pin

Configurations: 10S4P

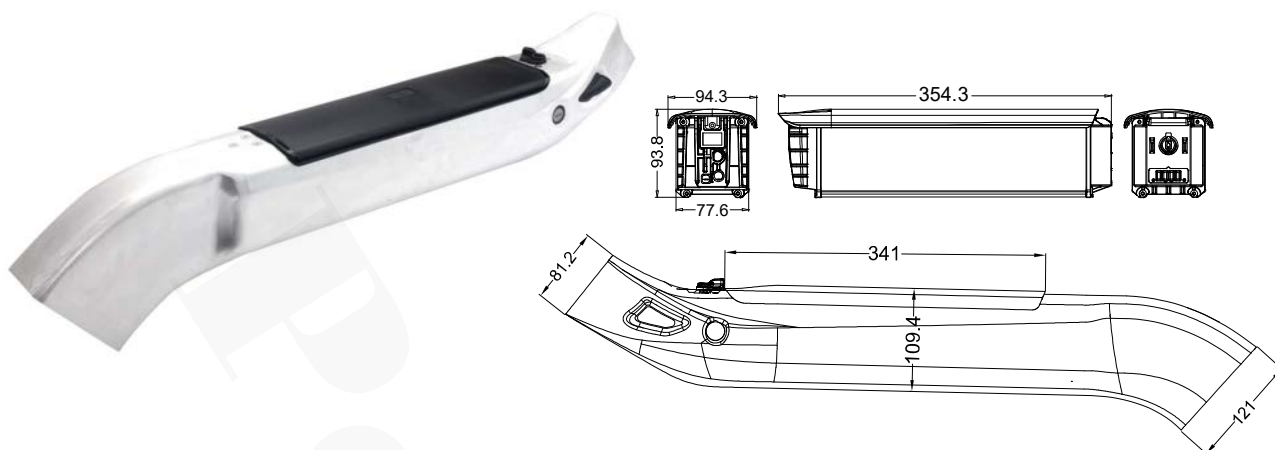
Rate: 8.8Ah - 14.0Ah

Lock: Mechanical Lock

LED indicator: Single LED (Tricolor)

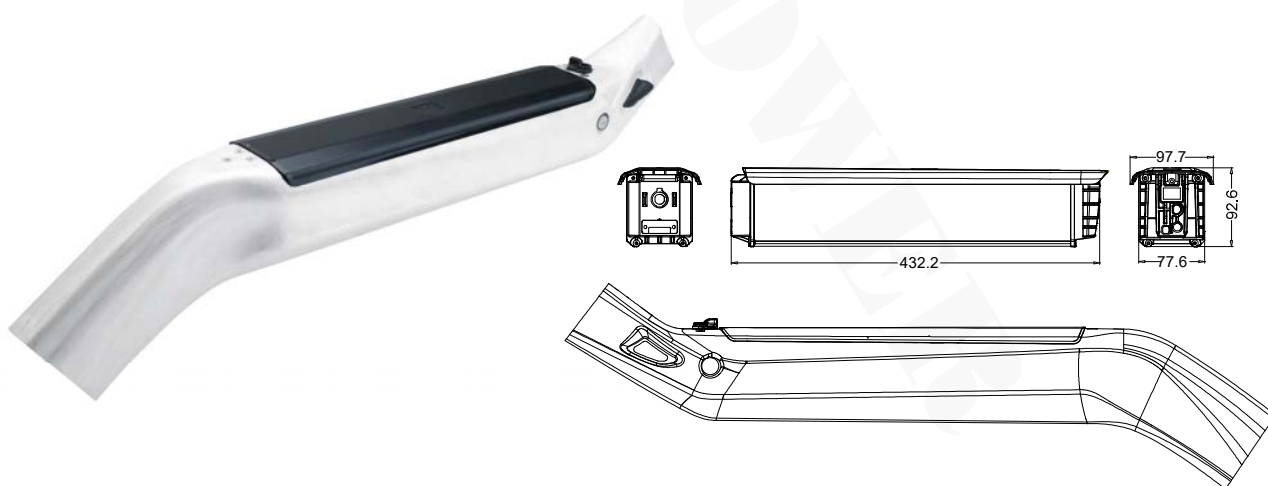
Battery Materials: Aluminum Alloy 6063/PC+ABS

Down Tube Materials: Aluminum Alloy 6061



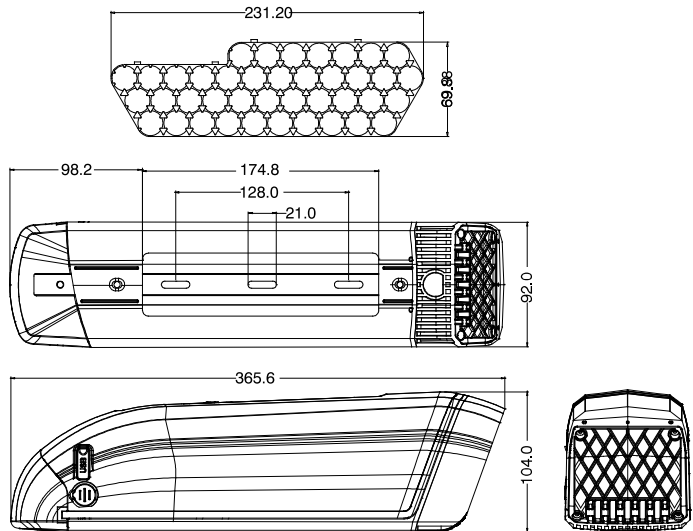
SY-TYM1 野馬

Model: SY-TYM1	Charge port: DC2.1/3PIN/5PIN
Maximum Cells: 18650 50 pcs	Discharge port: 4 Pin
Configurations: 10S5P	Rate: 11.0Ah - 17.5Ah
Lock: Mechanical Lock	LED indicator: Single LED (Tricolor)
Battery Materials: Aluminum Alloy 6063/PC+ABS	Down Tube Materials: Aluminum Alloy 6061



SY-TTL1 探路者

Model: SY-TTL1	Charge port: DC2.1/3PIN/5PIN
Maximum Cells: 18650 70 pcs	Discharge port: 4 Pin
Configurations: 10S7P	Rate: 15.4Ah - 24.5Ah
Lock: Mechanical Lock	LED indicator: Single LED (Tricolor)
Battery Materials: Aluminum Alloy 6063/PC+ABS	Down Tube Materials: Aluminum Alloy 6061



YL-DHF1 黃蜂1號

Model: YL-DHF1

Charge port: DC2.1/3PIN/5PIN

Maximum Cells: 18650 39/40 pcs

Discharge port: 5 Pin

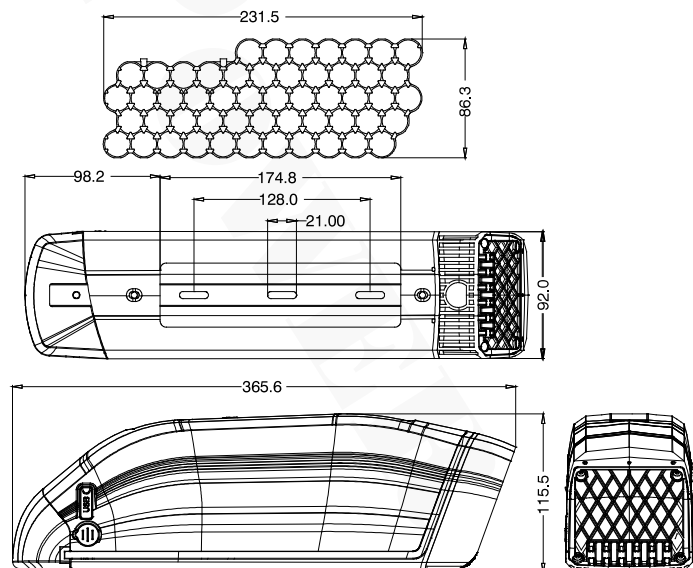
Configurations: 13S3P/10S4P

Rate: 6.6Ah - 10.5Ah / 8.8Ah - 14.0Ah

Lock: Mechanical Lock

LED indicator: 5 LED

Materials: PC+ABS



YL-DHF2 黃蜂2號

Model: YL-DHF2

Charge port: DC2.1/3PIN/5PIN

Maximum Cells: 18650 50/52 pcs

Discharge port: 5 Pin

Configurations: 10S5P/13S4P

Rate: 11.0Ah - 17.5Ah / 8.8Ah - 14.0Ah

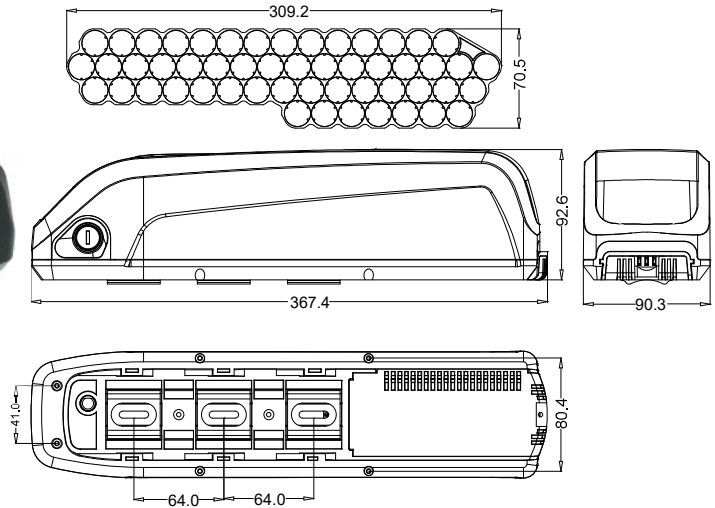
Lock: Mechanical Lock

LED indicator: 5 LED

Materials: PC+ABS

Grasshopper I Series

Down Tube Packs



NEW YL-DCM1 草蜢 I 號

Model: YL-DCM1

Charge port: DC2.1/3PIN/5PIN

Maximum Cells: 18650 50/52 pcs

Discharge port: 3 Pin

Configurations: 10S5P/13S4P

Rate: 11.0Ah - 17.5Ah / 8.8Ah - 14.0Ah

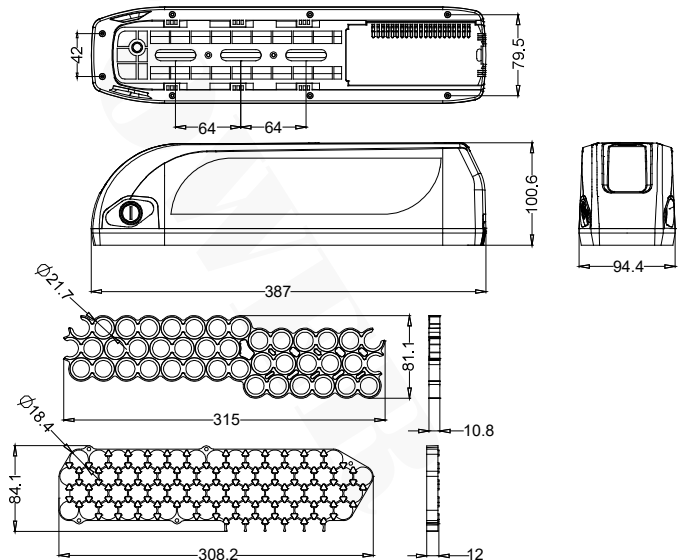
Lock: Mechanical Lock

LED indicator: 4 LED

Materials: PC+ABS

Sharp I Series

Down Tube Packs



SS-DXP1 夏普 I 號

Model: SS-DXP1

Charge port: DC2.1/3PIN/5PIN

Maximum Cells: 18650 50 / 21700 40pcs

Discharge port: 5 Pin

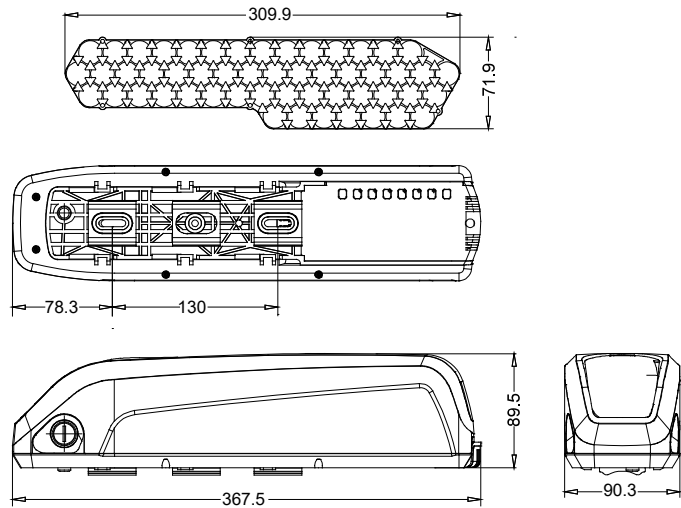
Configurations: 10S5P / 10S4P

Rate: 11.0Ah - 17.5Ah / 20.0Ah

Lock: Mechanical Lock

LED indicator: 4 LED

Materials: PC+ABS



SS-DHL1 海龍一號

Model: SS-DHL1

Charge port: DC2.1/3PIN/5PIN

Maximum Cells: 18650 50/52 pcs

Discharge port: 4 Pin

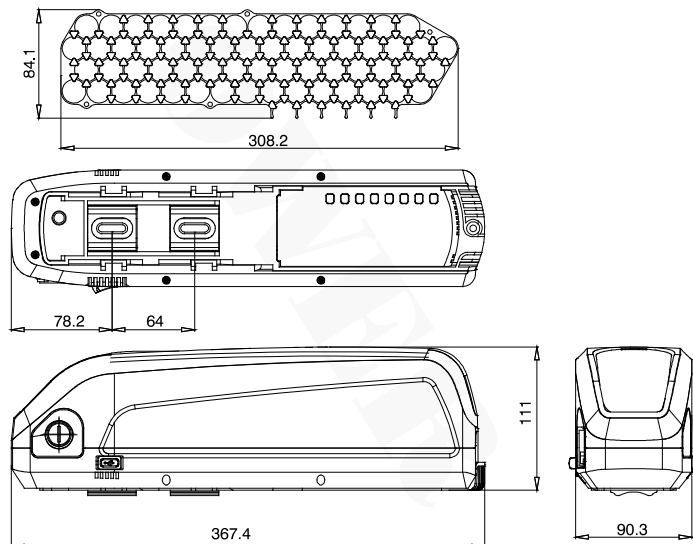
Configurations: 10S5P/13S4P

Rate: 11.0Ah - 17.5Ah / 8.8Ah - 14.0Ah

Lock: Mechanical Lock

LED indicator: 4 LED

Materials: PC+ABS



SS-DHL2 海龍I-2

Model: SS-DHL2

Charge port: DC2.1/3PIN/5PIN

Maximum Cells: 18650 60/65 pcs

Discharge port: 4 Pin

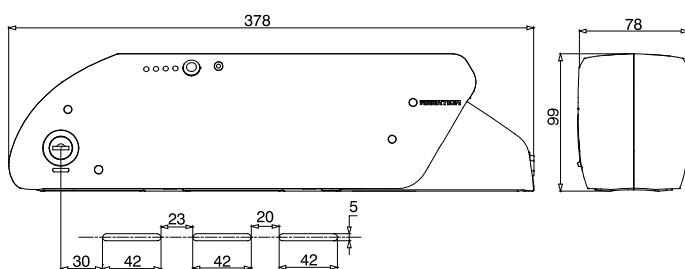
Configurations: 10S6P/13S5P

Rate: 13.2Ah - 21.0Ah / 11.0Ah - 17.5Ah

Lock: Mechanical Lock

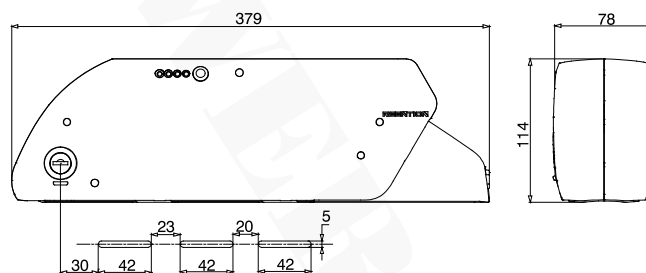
LED indicator: 4 LED

Materials: PC+ABS



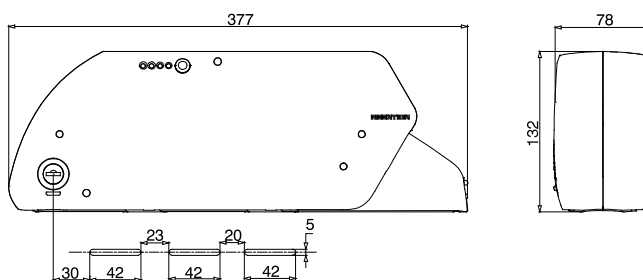
RE-DHS1 虎鯊1號

Model: RE-DHS1	Charge port: DC2.1/3PIN/5PIN
Maximum Cells: 18650 40 pcs	Discharge port: 5 Pin
Configurations: 10S4P	Rate: 8.8Ah - 14.0Ah
Lock: Mechanical Lock	LED indicator: 4 LED
Materials: PC+ABS	



RE-DHS2 虎鯊2號

Model: RE-DHS2	Charge port: DC2.1/3PIN/5PIN
Maximum Cells: 18650 50/52 pcs	Discharge port: 5 Pin
Configurations: 10S5P/13S4P	Rate: 11.0Ah - 17.5Ah / 8.8Ah - 14.0Ah
Lock: Mechanical Lock	LED indicator: 4 LED
Materials: PC+ABS	



RE-DHS3 虎鯊3號

Model: RE-DHS3

Charge port: DC2.1/3PIN/5PIN

Maximum Cells: 18650 60 pcs

Discharge port: 5 Pin

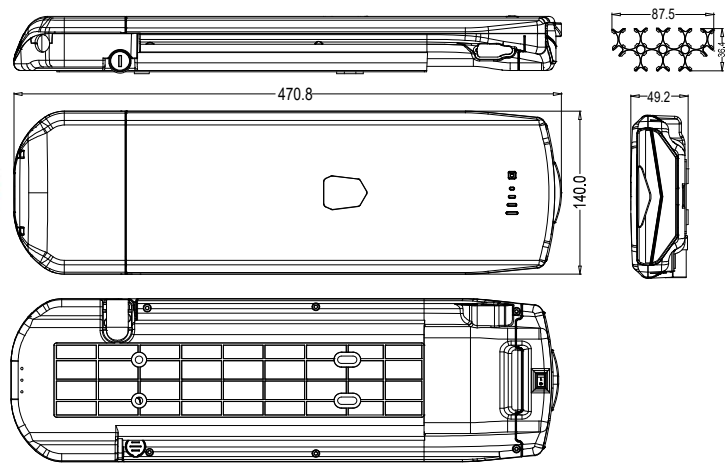
Configurations: 10S6P

Rate: 13.2Ah - 21.0Ah

Lock: Mechanical Lock

LED indicator: 4 LED

Materials: PC+ABS



YL-CSD2 閃電2號

Model: YL-CSD2

Charge port: DC2.1/3PIN/5PIN

Maximum Cells: 18650 40 pcs

Discharge port: 6 Pin

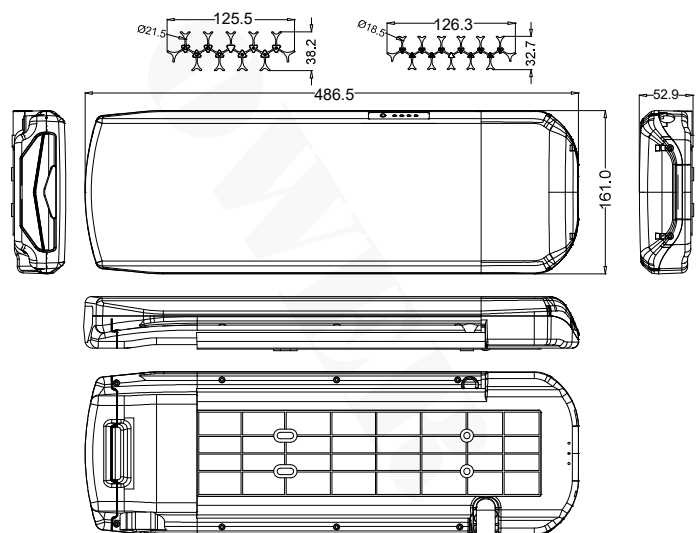
Configurations: 10S4P

Rate: 8.8Ah - 14.0Ah

Lock: Mechanical Lock

LED indicator: 4 LED

Materials: PC+ABS



YL-CSD1 閃電1號

NEW

Model: YL-CSD1

Charge port: DC2.1/3PIN/5PIN

Maximum Cells: 21700 40pcs / 18650 50 pcs

Discharge port: 5 Pin

Configurations: 10S4P / 10S5P

Rate: 20.0Ah / 11.0Ah - 17.5Ah

Lock: Mechanical Lock

LED indicator: 4 LED

Materials: PC+ABS

Rear Carrier Battery Packs

Thunderstorm Series



YL-CLY1 雷雨

Model: YL-CLY1

Charge port: DC2.1/3PIN/5PIN

Maximum Cells: 18650 42/50/60/65/70 pcs

Discharge port: 6 Pin

Configurations: 13S4P/10S5P/10S6P/13S5P/10S7P

Rate: 8.8Ah - 14.0Ah / 11.0Ah - 17.5Ah /
13.2Ah - 21.0Ah / 15.4Ah - 24.5Ah

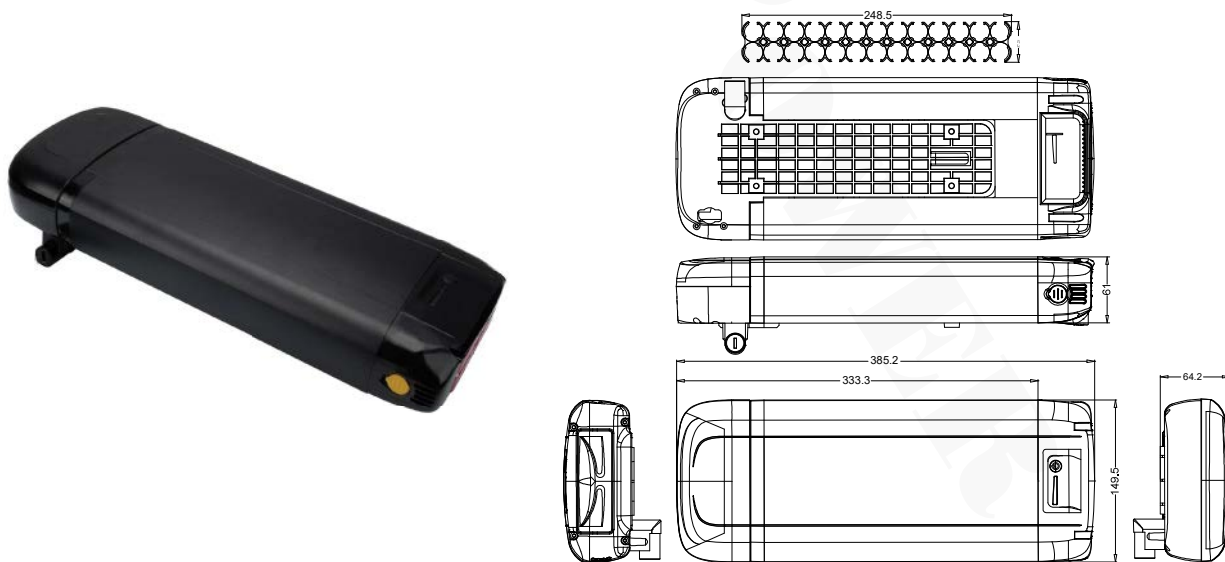
Lock: Mechanical Lock

LED indicator: 5 LED

Materials: PC+ABS

Rear Carrier Battery Packs

Blizzard Series



YL-CFX1 飛雪

Model: YL-CFX1

Charge port: DC2.1/3PIN/5PIN

Maximum Cells: 18650 50 pcs

Discharge port: 5 Pin

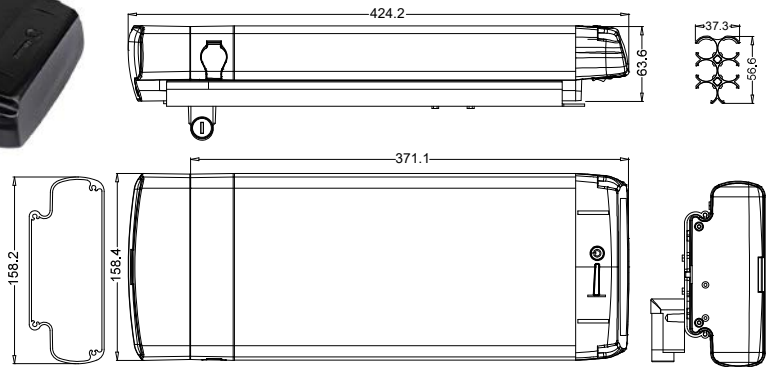
Configurations: 10S5P

Rate: 11.0Ah - 17.5Ah

Lock: Mechanical Lock

LED indicator: 4 LED

Materials: Aluminum Alloy 6063/PC+ABS



YL-CLT1 藍天1號

Model: YL-CLT1

Charge port: DC2.1/3PIN/5PIN

Maximum Cells: 18650 40/50/60/65 pcs

Discharge port: 5 Pin

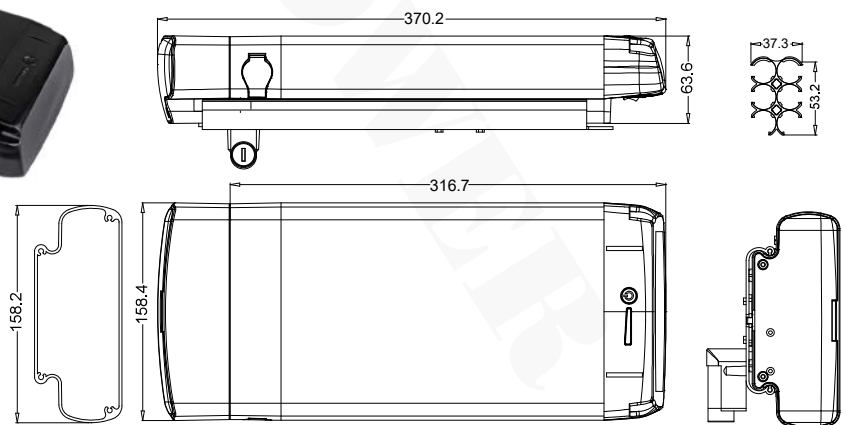
Configurations: 10S4P/10S5P/10S6P/13S5P

Rate: 8.8Ah - 14.0Ah / 11.0Ah - 17.5Ah / 13.2Ah - 21.0Ah

Lock: Mechanical Lock

LED indicator: 4 LED

Materials: Aluminum Alloy 6063PC+ABS



YL-CLT2 藍天2號

Model: YL-CLT2

Charge port: DC2.1/3PIN/5PIN

Maximum Cells: 18650 30 pcs

Discharge port: 5 Pin

Configurations: 10S3P

Rate: 6.6Ah - 10.5Ah

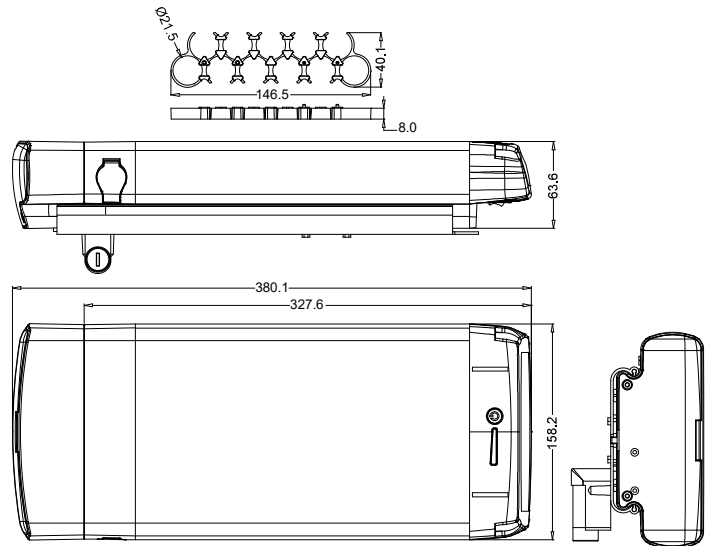
Lock: Mechanical Lock

LED indicator: 4 LED

Materials: Aluminum Alloy 6063/PC+ABS



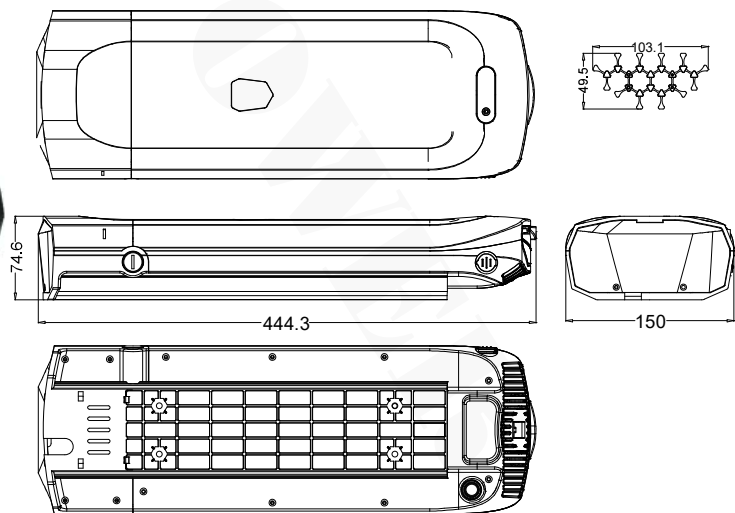
21700 cell available



NEW

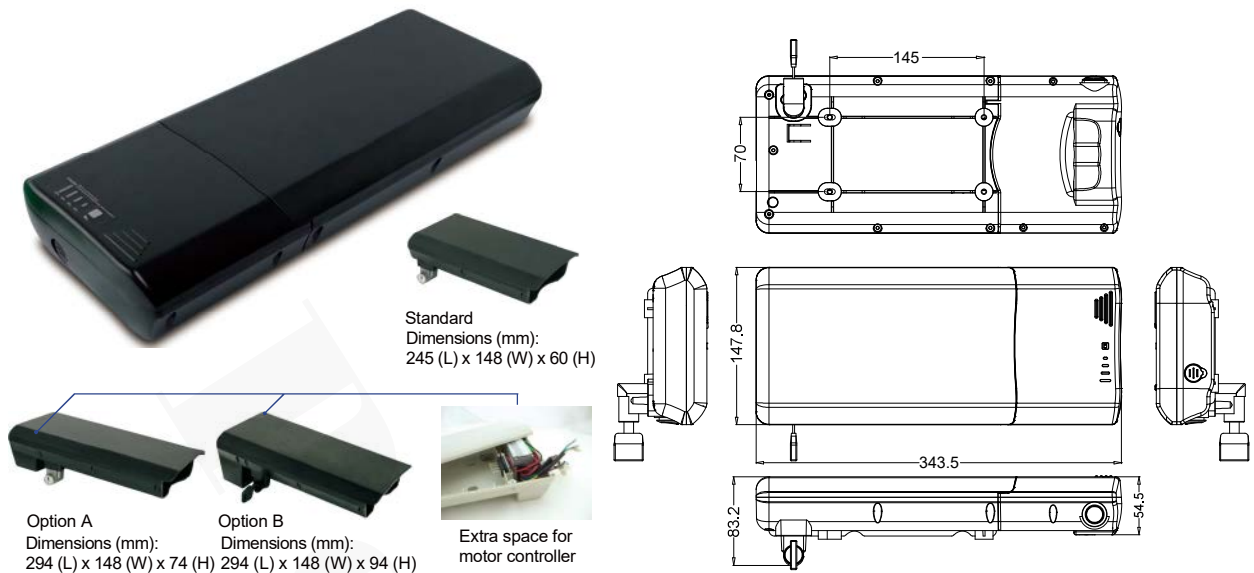
YL-CLT3 藍天3號

Model: YL-CLT3	Charge port: DC2.1/3PIN/5PIN
Maximum Cells: 21700 50 pcs	Discharge port: 5 Pin
Configurations: 10S5P	Rate: 25.0Ah
Lock: Mechanical Lock	LED indicator: 4 LED
Materials: Aluminum Alloy 6063/PC+ABS	



YL-CSX2 松下2號

Model: YL-CSX2	Charge port: DC2.1/3PIN/5PIN
Maximum Cells: 18650 30/40/42/50 pcs	Discharge port: 6 Pin
Configurations: 10S3P/10S4P/13S4P/10S5P	Rate: 6.6Ah - 10.5Ah / 8.8Ah - 14.0Ah / 11.0Ah - 17.5Ah
Lock: Mechanical Lock	LED indicator: 5 LED
Materials: PC+ABS	



YL-CWF1 微風1號

Model: YL-CWF1

Charge port: DC2.1/3PIN/5PIN

Maximum Cells: 18650 39/40 pcs

Discharge port: 5 Pin

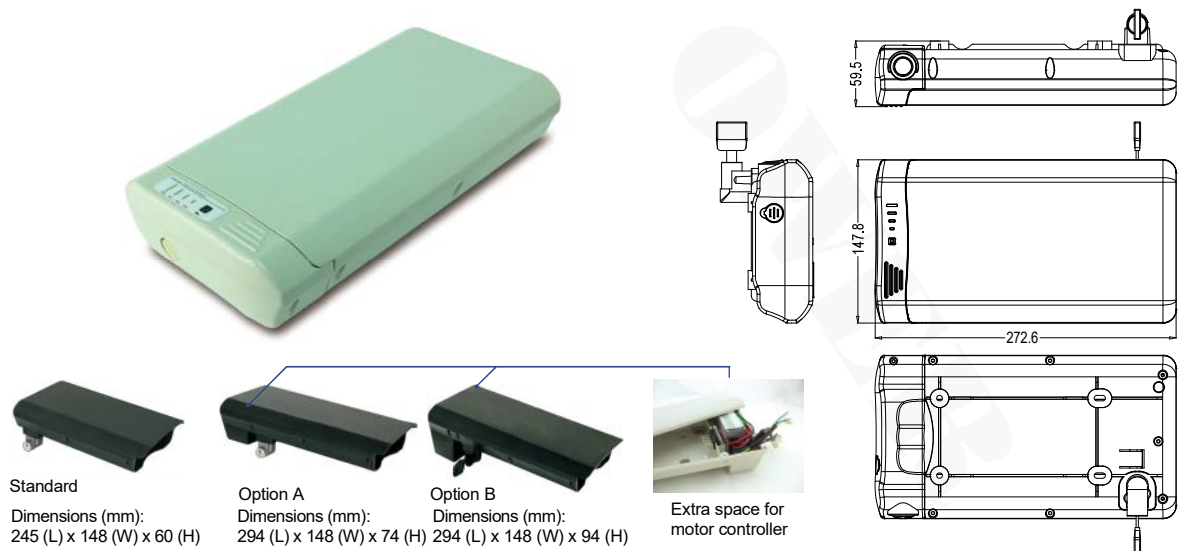
Configurations: 13S3P/10S4P

Rate: 6.6Ah - 10.5Ah / 8.8Ah - 14.0Ah

Lock: Mechanical Lock

LED indicator: 4 LED

Materials: PC+ABS



YL-CWF2 微風2號

Model: YL-CWF2

Charge port: DC2.5 / DC2.1/3PIN/5PIN

Maximum Cells: 18650 28/30 pcs

Discharge port: 5 Pin

Configurations: 7S4P/10S3P

Rate: 8.8Ah - 14.0Ah / 6.6Ah - 10.5Ah

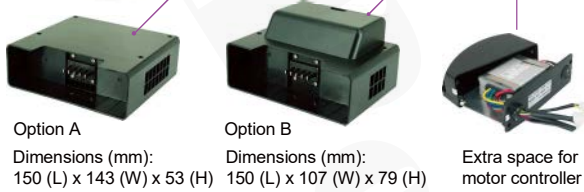
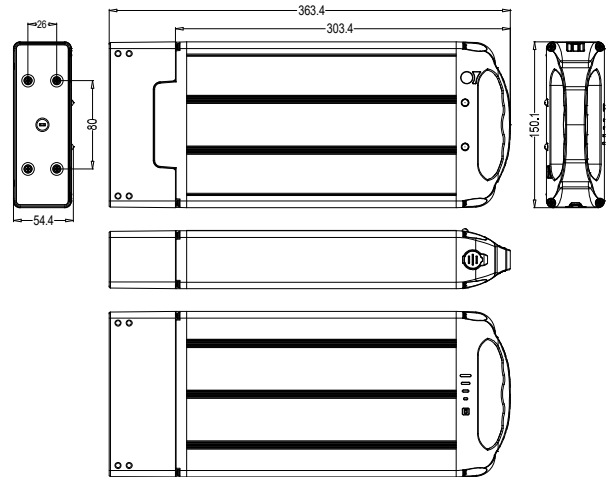
Lock: Mechanical Lock

LED indicator: 4 LED

Materials: PC+ABS

Rear Carrier Battery Packs

White Cloud I Series



YL-CBY1 白雲1號

Model: YL-CBY1

Charge port: DC2.5 / DC2.1/3PIN/5PIN

Maximum Cells: 18650 30/35/40 pcs

Discharge port: 5 Pin

Configurations: 10S3P/7S5P/10S4P

Rate: 6.6Ah - 10.5Ah / 11.0Ah - 17.5Ah / 8.8Ah - 14.0Ah

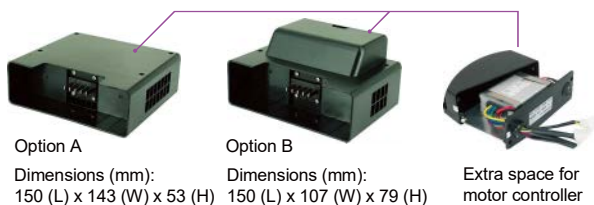
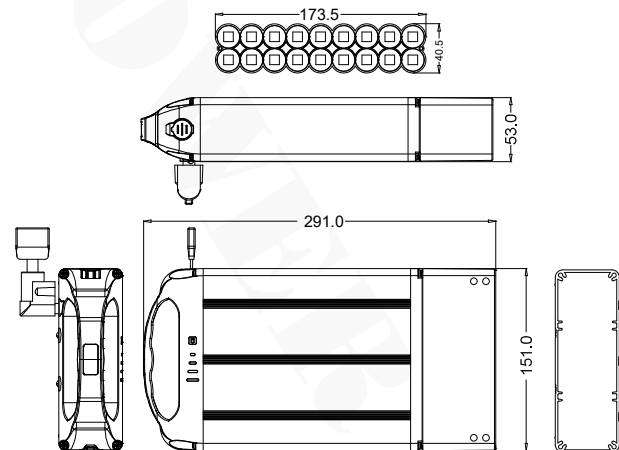
Lock: Mechanical Lock

LED indicator: 4 LED

Materials: Aluminum Alloy 6063/PC+ABS

Rear Carrier Battery Packs

White Cloud II Series



YL-CBY2 白雲2號

Model: YL-CBY2

Charge port: DC2.5

Maximum Cells: 18650 28 pcs

Discharge port: 5 Pin

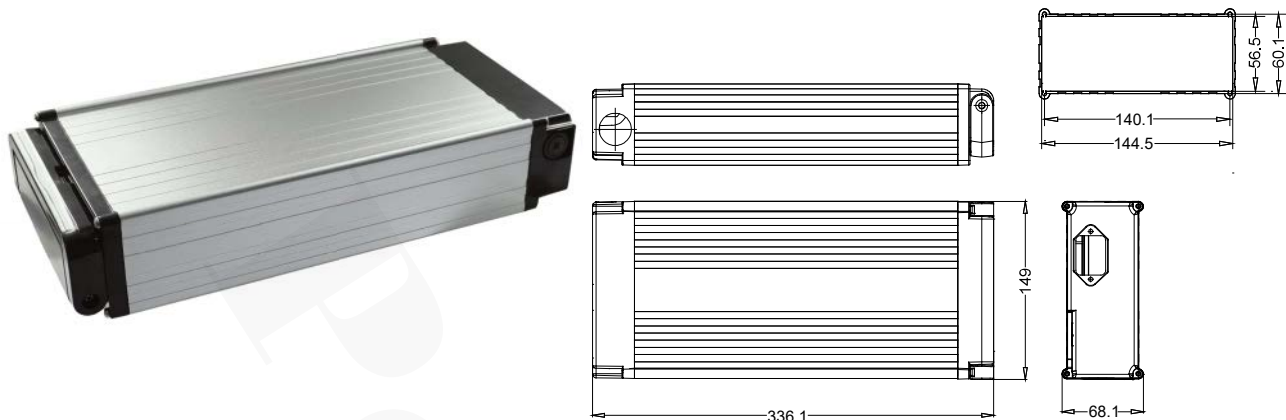
Configurations: 7S4P

Rate: 8.8Ah - 14.0Ah

Lock: Mechanical Lock

LED indicator: 4 LED

Materials: Aluminum Alloy 6063/PC+ABS



SS-CTL1 天龍1號

Model: SS-CTL1

Charge port: DC2.1/3PIN/5PIN

Maximum Cells: 18650 50/52 pcs

Discharge port: 3 Pin

Configurations: 10S5P/13S4P

Rate: 11.0Ah - 17.5Ah / 8.8Ah - 14.0Ah

Lock: Mechanical Lock

LED indicator: /

Materials: Aluminum Alloy 6063/PC+ABS



SS-CTL3 天龍3號

Model: YL-CTL3

Charge port: DC2.1/3PIN/5PIN

Maximum Cells: 18650 50/52 pcs

Discharge port: 4 Pin

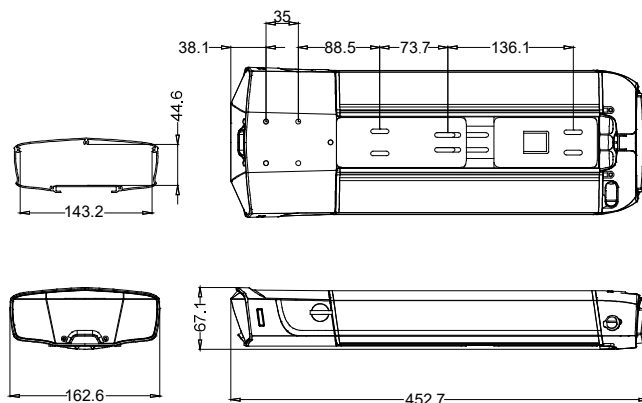
Configurations: 10S5P/13S4P

Rate: 11.0Ah - 17.5Ah / 8.8Ah - 14.0Ah

Lock: Mechanical Lock

LED indicator: /

Materials: Aluminum Alloy 6063/PC+ABS



SS-CJL1 吉龍1號

Model: SS-CJL1

Charge port: DC2.1/3PIN/5PIN

Maximum Cells: 18650 40/52/50 pcs

Discharge port: 6 Pin

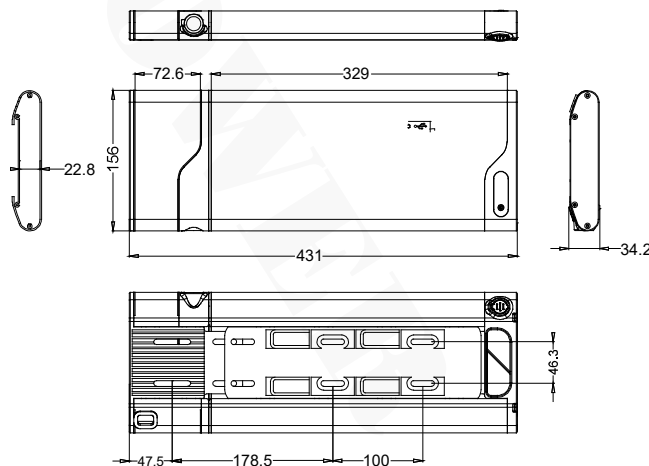
Configurations: 10S4P/13S4P/10S5P

Rate: 8.8Ah - 14.0Ah / 11.0Ah - 17.5Ah

Lock: Mechanical Lock

LED indicator: 4 LED

Materials: Aluminum Alloy 6063/PC+ABS



SS-CLX1 流星

Model: SS-CLX1

Charge port: DC2.1/3PIN/5PIN

Maximum Cells: 18650 30 pcs

Discharge port: 5 Pin

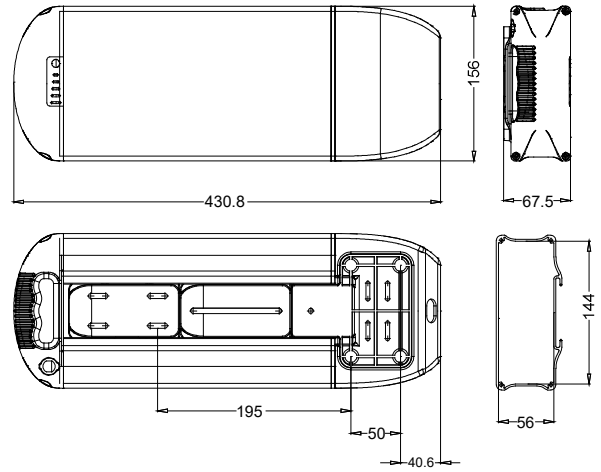
Configurations: 10S3P

Rate: 6.6Ah - 10.5Ah

Lock: Mechanical Lock

LED indicator: 5 LED

Materials: Aluminum Alloy 6063/PC+ABS



SS-CHT1 海豚1號

Model: SS-CHT1

Charge port: DC2.1/3PIN/5PIN

Maximum Cells: 18650 50/52 pcs

Discharge port: 2 Pin

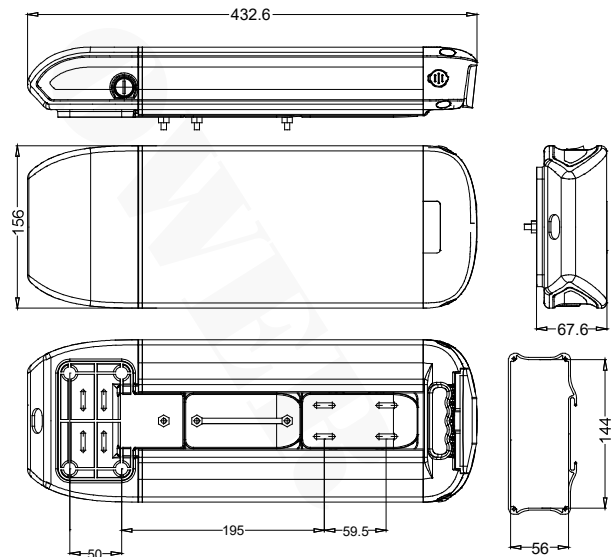
Configurations: 10S5P/13S4P

Rate: 11.0Ah - 17.5Ah / 8.8Ah - 14.0Ah

Lock: Mechanical Lock

LED indicator: 5 LED

Materials: Aluminum Alloy 6063/PC+ABS



SS-CHT3 海豚3號

Model: SS-CHT3

Charge port: DC2.1/3PIN/5PIN

Maximum Cells: 18650 50/52 pcs

Discharge port: 2 Pin

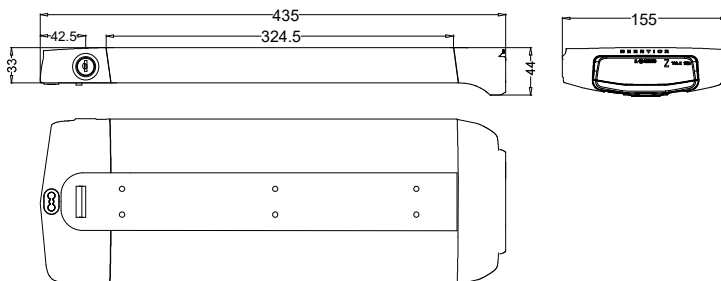
Configurations: 10S5P/13S4P

Rate: 11.0Ah - 17.5Ah / 8.8Ah - 14.0Ah

Lock: Mechanical Lock

LED indicator: 5 LED

Materials: Aluminum Alloy 6063/PC+ABS



RE-CYS1 銀鯊1號

Model: RE-CYS1

Charge port: DC2.1/3PIN/5PIN

Maximum Cells: 18650 30 pcs

Discharge port: 5 Pin

Configurations: 10S3P

Rate: 6.6Ah - 10.5Ah

Lock: Mechanical Lock

LED indicator: 4 LED

Materials: Aluminum Alloy 6063/PC+ABS



KN-CCB1 N115衣架

Model: KN-CCB1

Charge port: DC2.1/3PIN/5PIN

Maximum Cells: 18650 50/52 pcs

Discharge port: 3 Pin

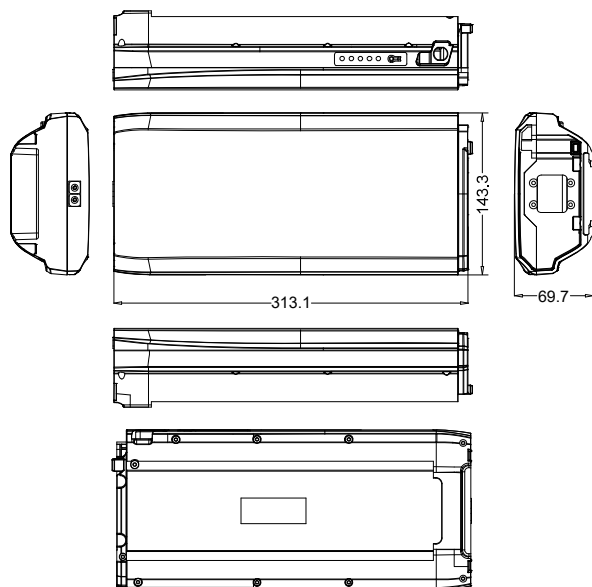
Configurations: 10S5P/13S4P

Rate: 11.0Ah - 17.5Ah / 8.8Ah - 14.0Ah

Lock: Mechanical Lock

LED indicator: /

Materials: PC+ABS



KN-CAP1 Apollo

Model: KN-CAP1

Charge port: DC2.1/3PIN/5PIN

Maximum Cells: 18650 50/52 pcs

Discharge port: 4 Pin

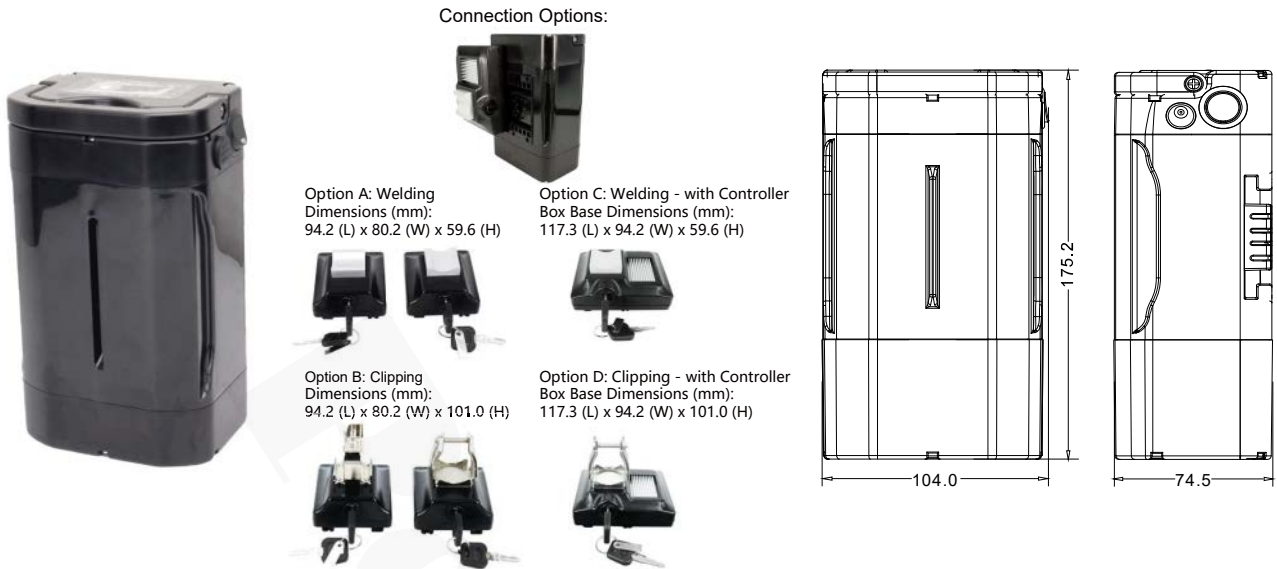
Configurations: 10S5P/13S4P

Rate: 11.0Ah - 17.5Ah / 8.8Ah - 14.0Ah

Lock: Mechanical Lock

LED indicator: 5 LED

Materials: PC+ABS



YL-MHM1 海馬

Model: YL-MHM1

Charge port: DC2.5

Maximum Cells: 18650 28 pcs

Discharge port: 4 Pin

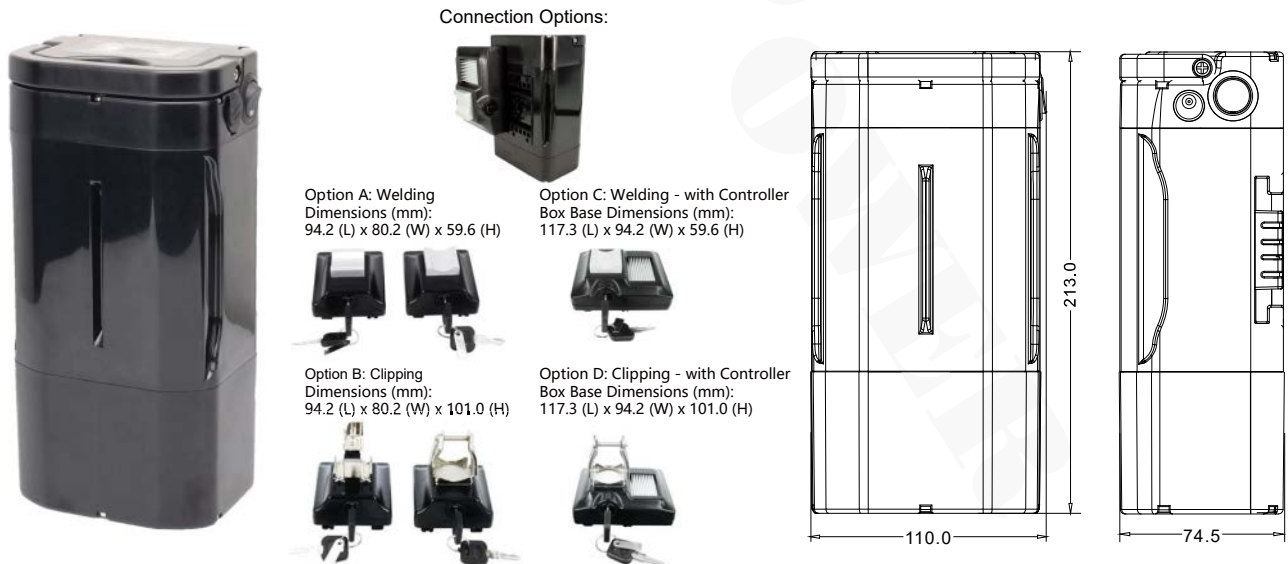
Configurations: 7S4P

Rate: 8.8Ah - 14.0Ah

Lock: Mechanical Lock

LED indicator: 4 LED

Materials: PC+ABS



YL-MHX1 海星

Model: YL-MHX1

Charge port: DC2.1/3PIN/5PIN

Maximum Cells: 18650 30 pcs

Discharge port: 4 Pin

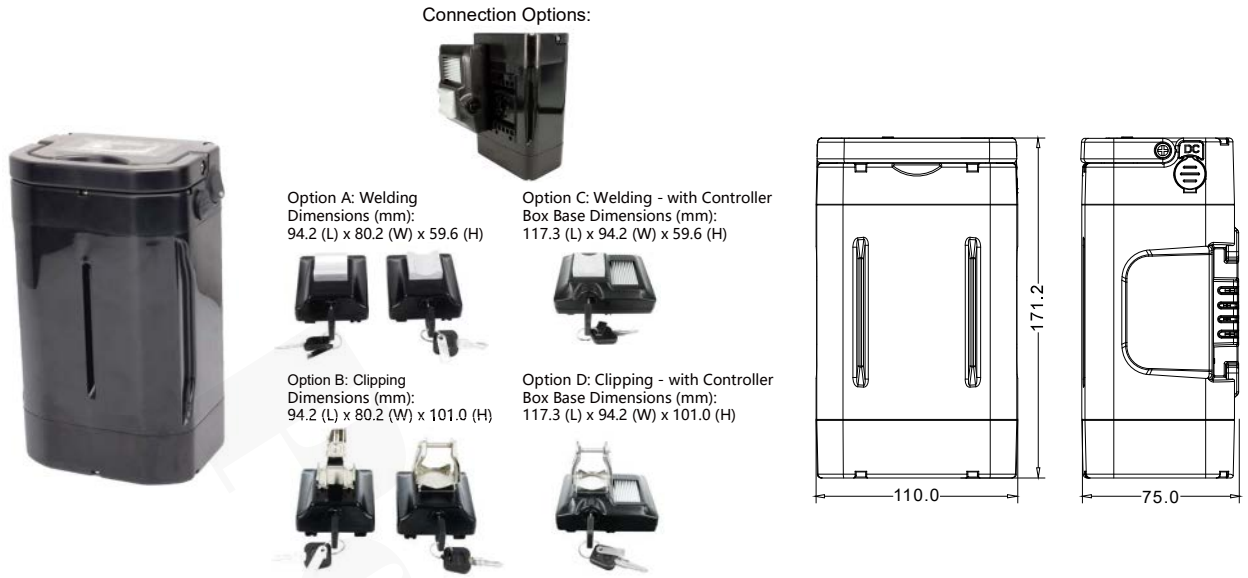
Configurations: 10S3P

Rate: 6.6Ah - 10.5Ah

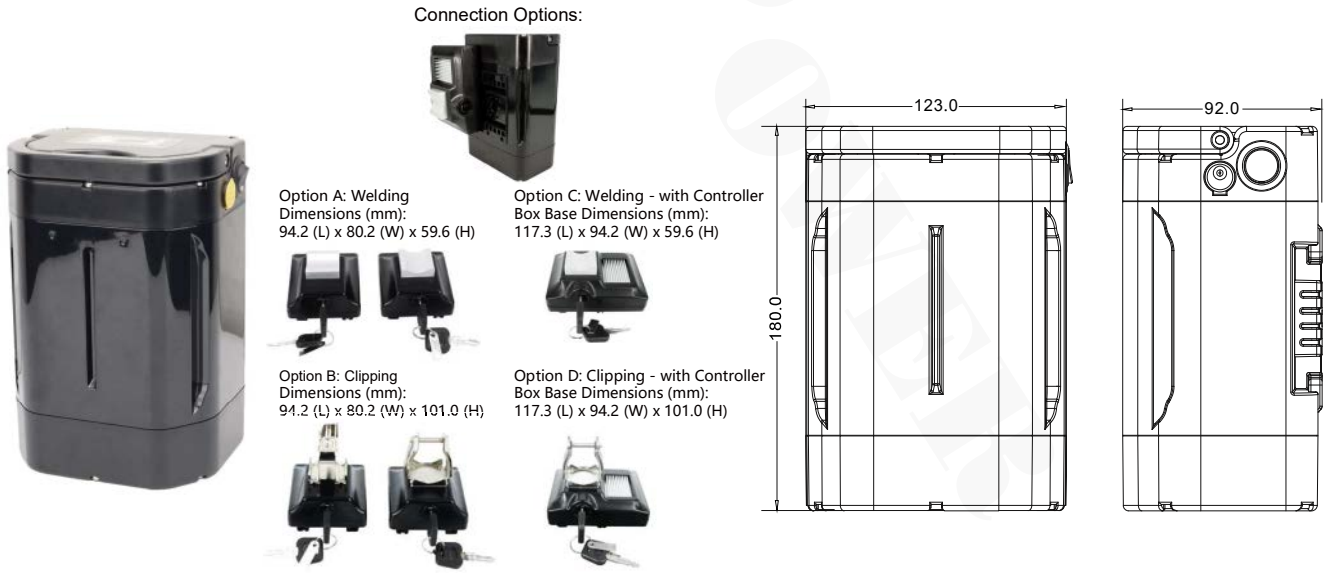
Lock: Mechanical Lock

LED indicator: 4 LED

Materials: PC+ABS



YL-MSH1 珊瑚	
Model: YL-MSH1	Charge port: DC2.1/3PIN/5PIN
Maximum Cells: 18650 30 pcs	Discharge port: 4 Pin
Configurations: 10S3P	Rate: 6.6Ah - 10.5Ah
Lock: Mechanical Lock	LED indicator: 4 LED
Materials: PC+ABS	



YL-MSM1 水母	
Model: YL-MSM1	Charge port: DC2.1/3PIN/5PIN
Maximum Cells: 18650 40 pcs	Discharge port: 4 Pin
Configurations: 10S4P	Rate: 8.8Ah - 14.0Ah
Lock: Mechanical Lock	LED indicator: 4 LED
Materials: PC+ABS	

Multi-fit Battery Packs

Blue Whale Series



Connection Options:

Option A: Welding
Dimensions (mm):
94.2 (L) x 80.2 (W) x 59.6 (H)



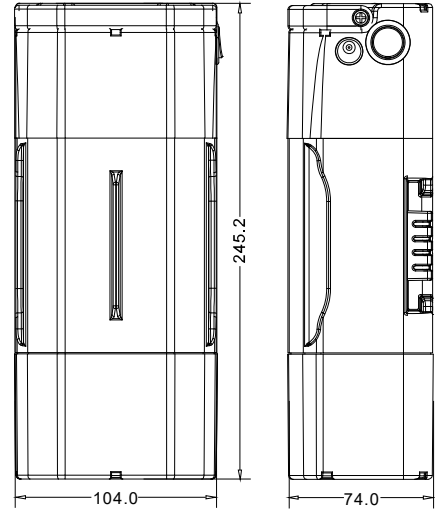
Option B: Clipping
Dimensions (mm):
94.2 (L) x 80.2 (W) x 101.0 (H)



Option C: Welding - with Controller
Box Base Dimensions (mm):
117.3 (L) x 94.2 (W) x 59.6 (H)



Option D: Clipping - with Controller
Box Base Dimensions (mm):
117.3 (L) x 94.2 (W) x 101.0 (H)



YL-MLJ1 藍鯨

Model: YL-MLJ1

Charge port: DC2.1/3PIN/5PIN

Maximum Cells: 18650 40 pcs

Discharge port: 4 Pin

Configurations: 10S4P

Rate: 8.8Ah - 14.0Ah

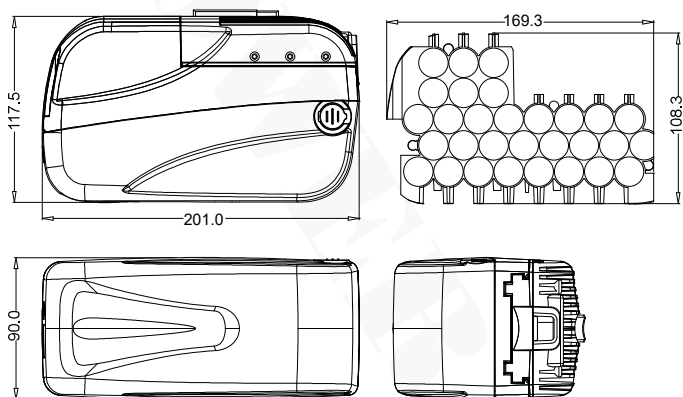
Lock: Mechanical Lock

LED indicator: 4 LED

Materials: PC+ABS

Multi-fit Battery Packs

Fangbao Series



YL-MFB1 方包

Model: YL-MFB1

Charge port: DC2.5 /DC2.1/3PIN/5PIN

Maximum Cells: 18650 28/30 pcs

Discharge port: 5 Pin

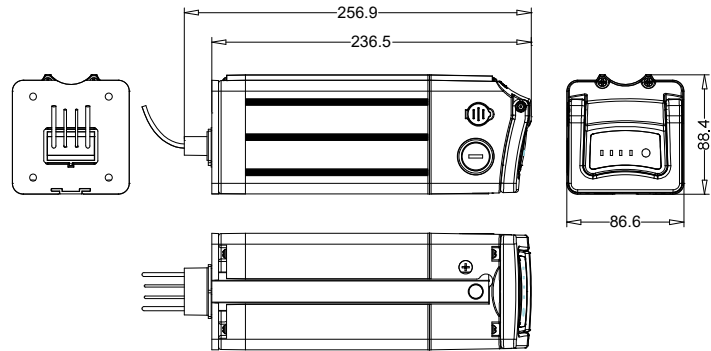
Configurations: 7S4P/10S3P

Rate: 8.8Ah - 14.0Ah / 6.6Ah - 10.5Ah

Lock: Mechanical Lock

LED indicator: 4 LED

Materials: Aluminum Alloy 6063/PC+ABS



YL-STJ1 鐵甲1號

Model: YL-STJ1

Charge port: DC2.5

Maximum Cells: 18650 28 pcs

Discharge port: 4 Pin

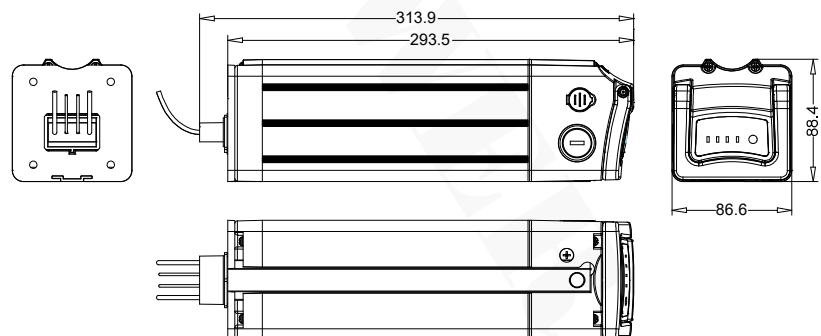
Configurations: 7S4P

Rate: 8.8Ah - 14.0Ah

Lock: Mechanical Lock

LED indicator: 4 LED

Materials: Aluminum Alloy 6063/PC+ABS



YL-STJ2 鐵甲2號

Model: YL-STJ2

Charge port: DC2.1/3PIN/5PIN

Maximum Cells: 18650 40 pcs

Discharge port: 4 Pin

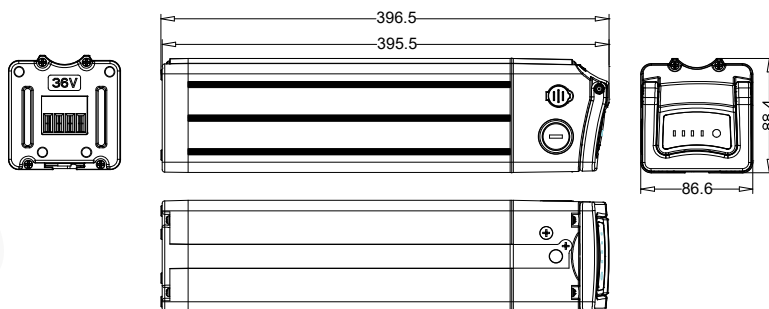
Configurations: 10S4P

Rate: 8.8Ah - 14.0Ah

Lock: Mechanical Lock

LED indicator: 4 LED

Materials: Aluminum Alloy 6063/PC+ABS



YL-SYY1 銀魚1號

Model: YL-SYY1

Charge port: DC2.1/3PIN/5PIN

Maximum Cells: 18650 50 pcs

Discharge port: 5 Pin

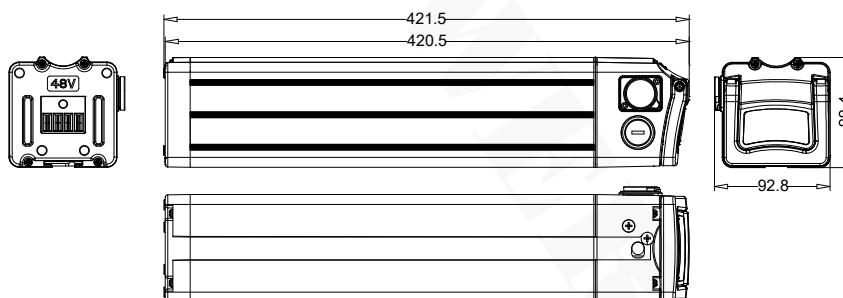
Configurations: 10S5P

Rate: 11.0Ah - 17.5Ah

Lock: Mechanical Lock

LED indicator: 4 LED

Materials: Aluminum Alloy 6063/PC+ABS



YL-SYY3 銀魚3號

Model: YL-SYY3

Charge port: DC2.1/3PIN/5PIN

Maximum Cells: 18650 65 pcs

Discharge port: 4 Pin

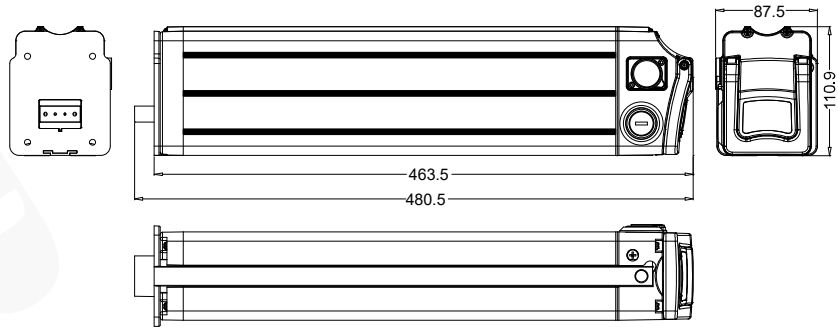
Configurations: 13S5P

Rate: 11.0Ah - 17.5Ah

Lock: Mechanical Lock

LED indicator: 4 LED

Materials: Aluminum Alloy 6063/PC+ABS



YL-SYY4 銀魚4號

Model: YL-SYY4

Charge port: DC2.1/3PIN/5PIN

Maximum Cells: 18650 78 pcs

Discharge port: 4 Pin

Configurations: 13S6P

Rate: 13.2Ah - 21.0Ah

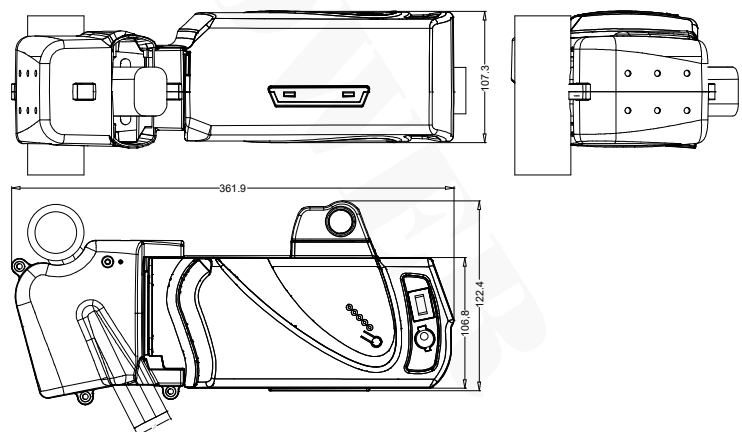
Lock: Mechanical Lock

LED indicator: 4 LED

Materials: Aluminum Alloy 6063/PC+ABS

Sakura Series

Seat Post Battery Packs



WY-SYH2 櫻花

Model: WY-SYH2

Charge port: DC2.1/3PIN/5PIN

Maximum Cells: 18650 30 pcs

Discharge port: 5 Pin

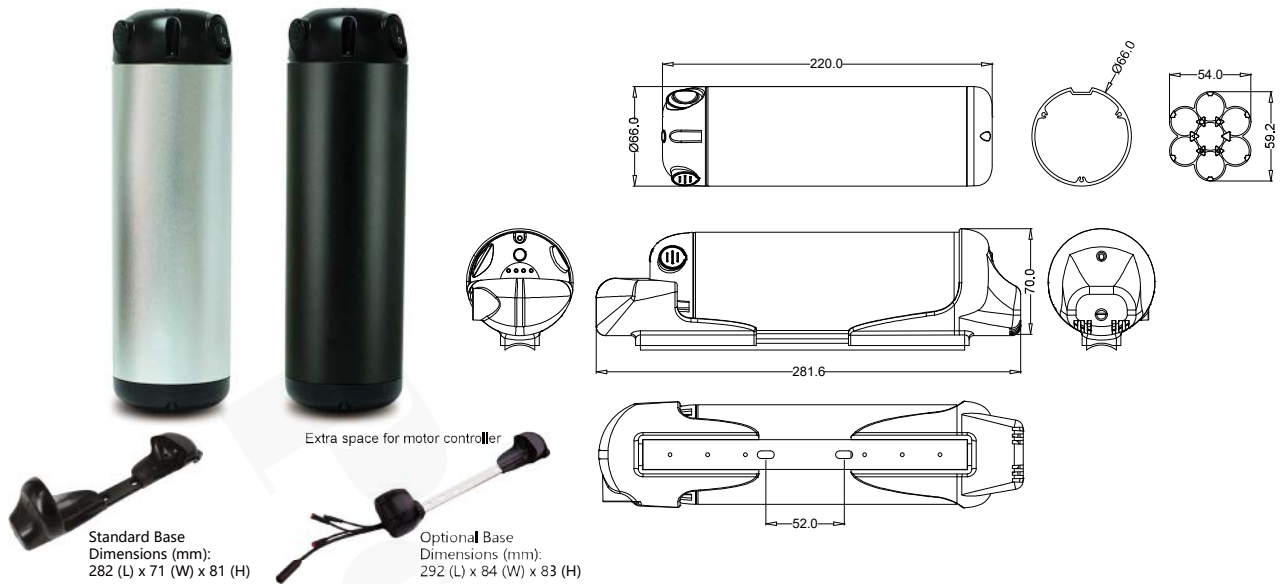
Configurations: 10S3P

Rate: 6.6Ah - 10.5Ah

Lock: Mechanical Lock

LED indicator: 5 LED

Materials: PC+ABS



YL-WXQ1 小蜻蜓1號

Model: YL-WXQ1

Charge port: DC2.5

Maximum Cells: 18650 14 pcs

Discharge port: 5 Pin

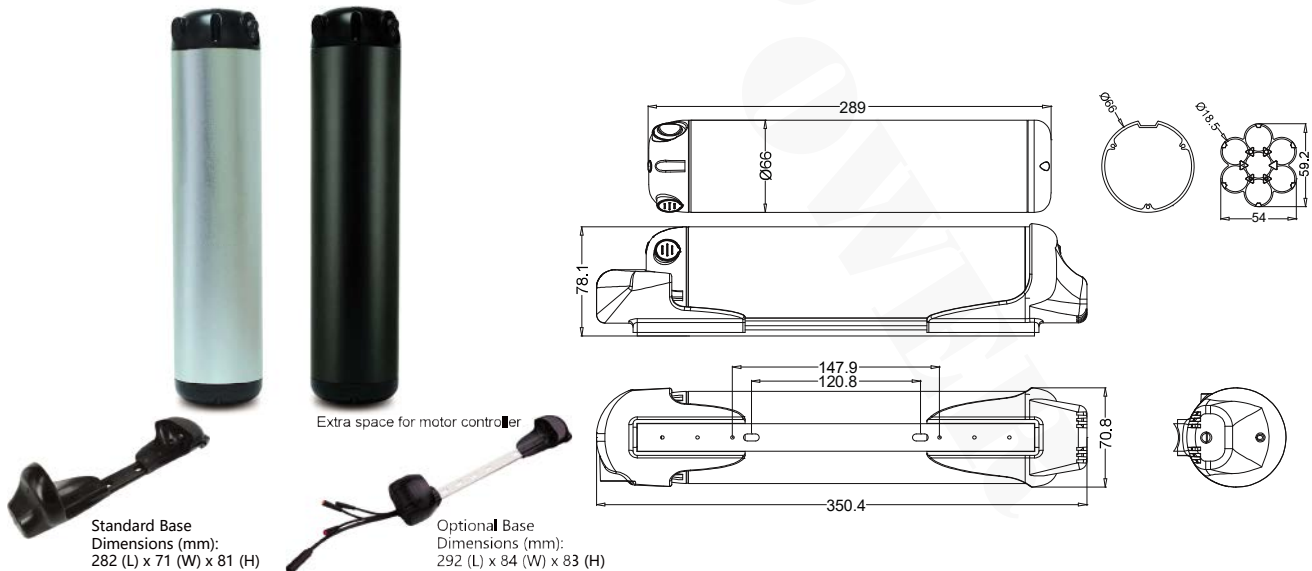
Configurations: 7S2P

Rate: 4.4Ah - 7.0Ah

Lock: Mechanical Lock

LED indicator: 4 LED

Materials: Aluminum Alloy 6063/PC+ABS



YL-WXQ2 小蜻蜓2號

Model: YL-WXQ2

Charge port: DC2.5

Maximum Cells: 18650 21 pcs

Discharge port: 5 Pin

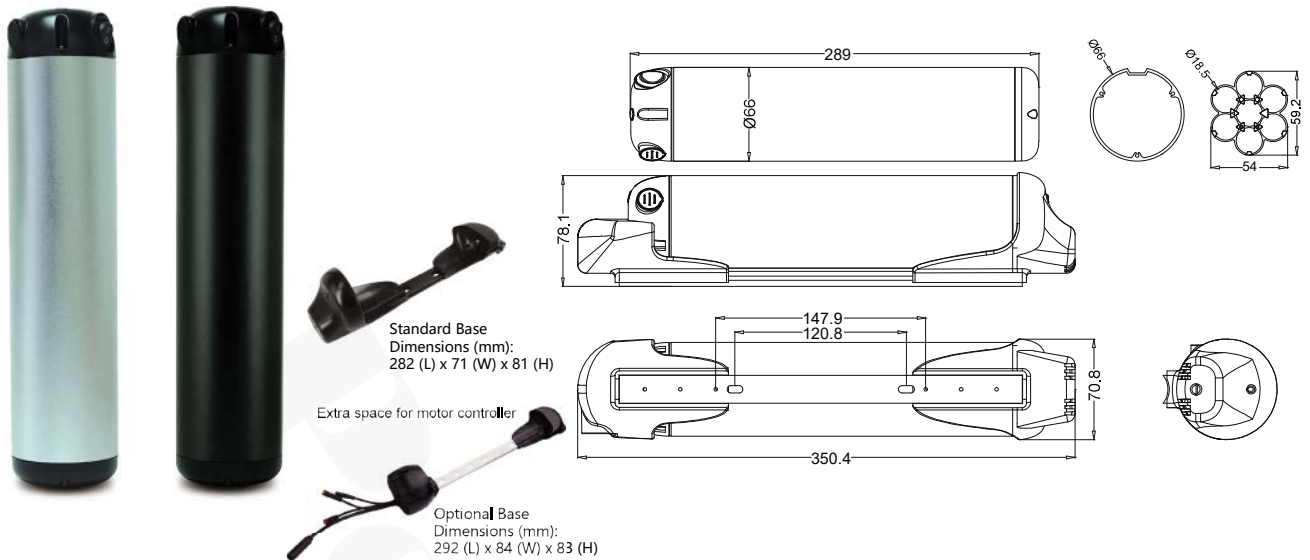
Configurations: 7S3P

Rate: 6.6Ah - 10.5Ah

Lock: Mechanical Lock

LED indicator: 4 LED

Materials: Aluminum Alloy 6063/PC+ABS



YL-WXQ3 小蜻蜓3號

Model: YL-WXQ3

Charge port: DC2.1/3PIN/5PIN

Maximum Cells: 18650 20 pcs

Discharge port: 5 Pin

Configurations: 10S2P

Rate: 4.4Ah - 7.0Ah

Lock: Mechanical Lock

LED indicator: 4 LED

Materials: Aluminum Alloy 6063/PC+ABS



YL-WTN1 天牛1號

Model: YL-WTN1

Charge port: DC2.1/3PIN/5PIN

Maximum Cells: 18650 39/40 pcs

Discharge port: 5 Pin

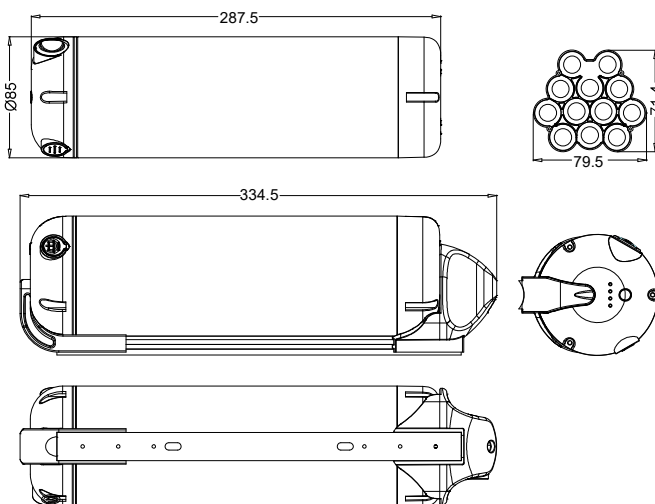
Configurations: 13S3P/10S4P

Rate: 6.6Ah - 10.5Ah / 8.8Ah - 14.0Ah

Lock: Mechanical Lock

LED indicator: 4 LED

Materials: Aluminum Alloy 6063/PC+ABS



YL-WTN2 天牛2號

Model: YL-WTN2

Charge port: DC3.0

Maximum Cells: 18650 36 pcs

Discharge port: 5 Pin

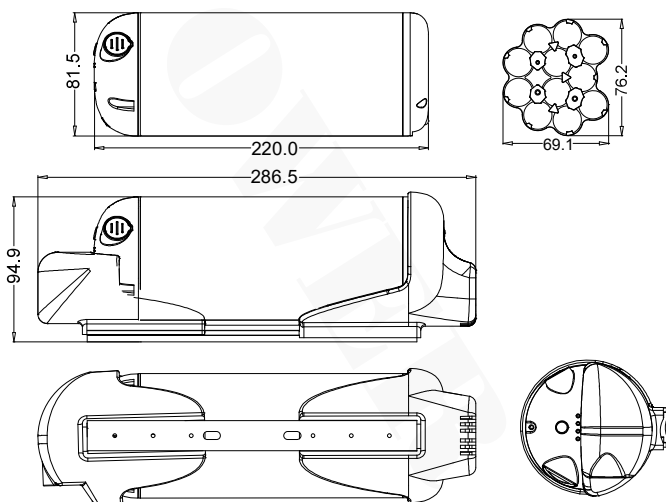
Configurations: 12S3P

Rate: 6.6Ah - 10.5Ah

Lock: Mechanical Lock

LED indicator: 4 LED

Materials: Aluminum Alloy 6063/PC+ABS



Standard Base
Dimensions (mm):
286 (L) x 88 (W) x 98 (H)



Optional Base
Dimensions (mm):
292 (L) x 96 (W) x 97 (H)

YL-WJG1 金龜1號

Model: YL-WJG1

Charge port: DC2.5

Maximum Cells: 18650 21 pcs

Discharge port: 5 Pin

Configurations: 7S3P

Rate: 6.6Ah - 10.5Ah

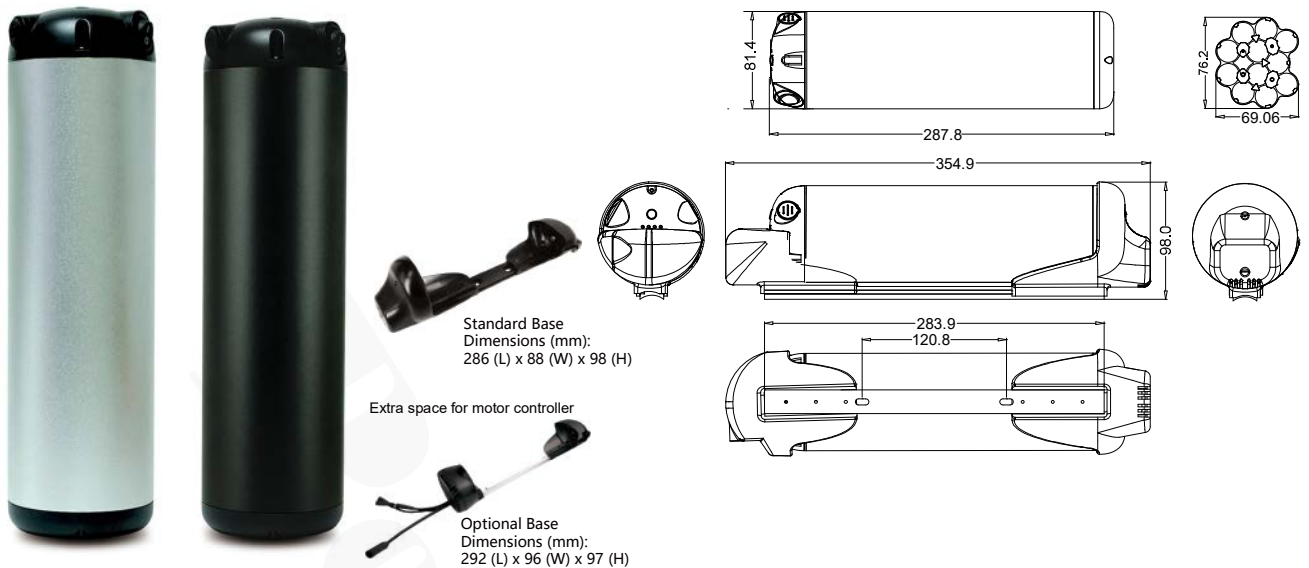
Lock: Mechanical Lock

LED indicator: 4 LED

Materials: Aluminum Alloy 6063/PC+ABS

Scarab II Series

Seat Post Battery Packs



YL-WJG2 金龜2號

Model: YL-WJG2

Charge port: DC2.5

Maximum Cells: 18650 28 pcs

Discharge port: 5 Pin

Configurations: 7S4P

Rate: 8.8Ah - 14.0Ah

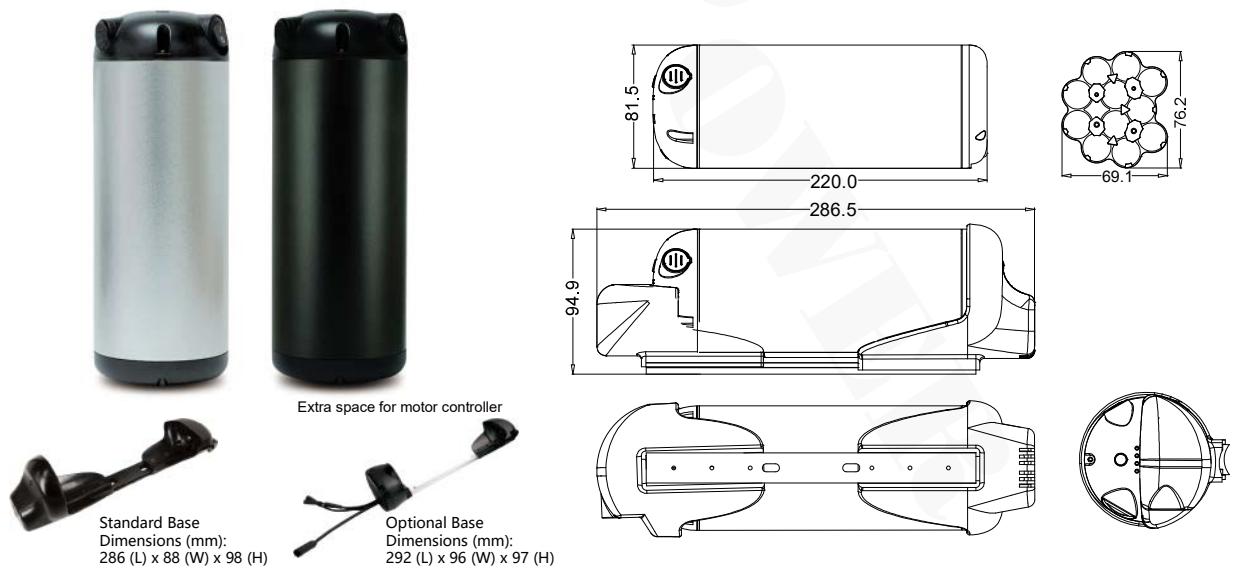
Lock: Mechanical Lock

LED indicator: 4 LED

Materials: Aluminum Alloy 6061/PC+ABS

Scarab III Series

Seat Post Battery Packs



YL-WJG3 金龜3號

Model: YL-WJG3

Charge port: DC2.1/3PIN/5PIN

Maximum Cells: 18650 20 pcs

Discharge port: 5 Pin

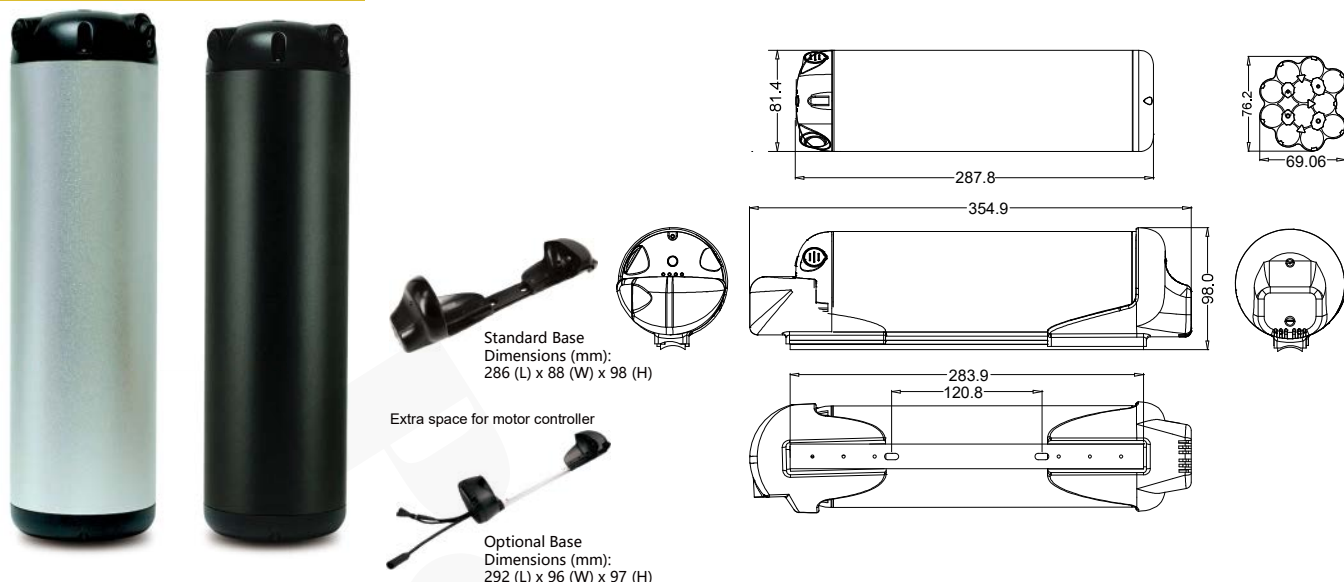
Configurations: 10S2P

Rate: 4.4Ah - 7.0Ah

Lock: Mechanical Lock

LED indicator: 4 LED

Materials: Aluminum Alloy 6061/PC+ABS



YL-WJG4 金龜4號

Model: YL-WJG4

Charge port: DC2.1/3PIN/5PIN

Maximum Cells: 18650 30 pcs

Discharge port: 5 Pin

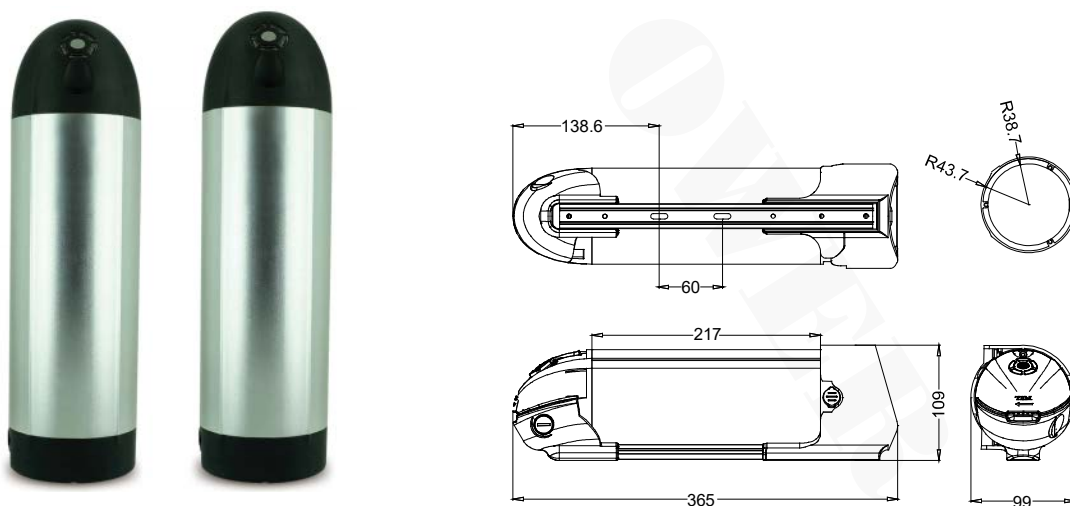
Configurations: 10S3P

Rate: 6.6Ah - 10.5Ah

Lock: Mechanical Lock

LED indicator: 4 LED

Materials: Aluminum Alloy 6063/PC+ABS



SS-WJG2 動車2號

Model: YL-WJG2

Charge port: DC2.1/3PIN/5PIN

Maximum Cells: 18650 39/40 pcs

Discharge port: 5 Pin

Configurations: 13S3P/10S4P

Rate: 6.6Ah - 10.5Ah / 8.8Ah - 14.0Ah

Lock: Spring Lock

LED indicator: 5 LED

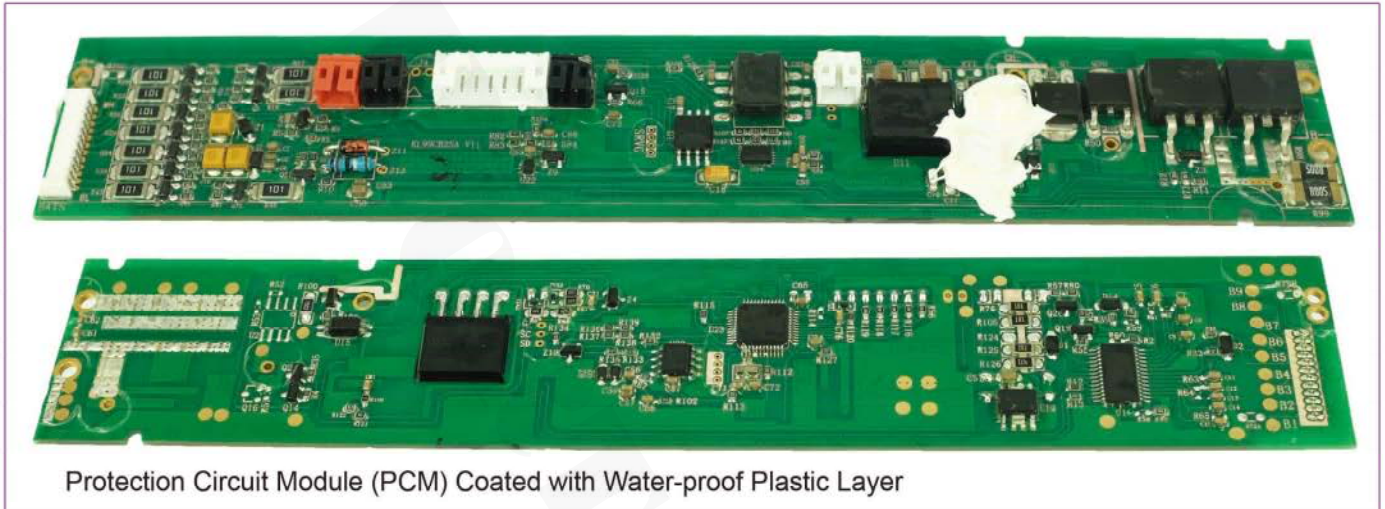
Materials: Aluminum Alloy 6063/PC+ABS

Li-ion Battery Pack Featuring Reliable Designs



1. Intelligent Protection Circuit Module provides:

- Cell Balancing
- Over-Charge Protection
- Short Circuit Protection
- Secondary Protection
- Over-Discharge Protection
- Communication Protocol
- Temperature Protection
- Over-Current Protection



Protection Circuit Module (PCM) Coated with Water-proof Plastic Layer

2. Water & Dust Resistant of Protection Circuit Module (PCM)

A layer of water-proof plastic coating has been applied to prevent damages of the Protection Circuit Module (PCM) to be caused by both water and dust. The level of ingress protection reaches IP65*, i.e. the PCM is well protected even the battery pack is sank into water.

* IP65 of the Ingress Protection Rating System – the higher the number, the better protection.

IP	Means Ingress Protection System (with a 2-digit rating).
6	The first digit (IP6_) relates to ingress protection against solid objects; and '6' means dust tight, i.e. no ingress of dust.
5	The second digit (IP_5) relates to ingress protection against water; and '5' means protected against water jets, i.e. water projected from a nozzle (6.3mm) against the enclosure from any direction shall have no harmful effect.

3. Automatic Sleep Mode:

Sleep Mode shuts off the output of the battery pack automatically to prevent it from complete discharge during prolonged storage or inactivity.

Option A:

If the battery is activated for more than *16 hours^{xx}*, the battery circuit will automatically turn off its output.

Option B:

If the battery output is under 4A current, the battery circuit will automatically turn off its output after *1 hour^{xx}*.

^{xx} May adjust the activation time of the Sleep Mode to suit the needs of different clients.

Li-ion Battery Pack Featuring Reliable Designs



4. Built-in Gas Gauge IC

The protection circuit board with build-in Gas Gauge IC monitors battery status and enables data output to various data collectors, by means of HDQ protocol, UART protocol or Canbus protocol.

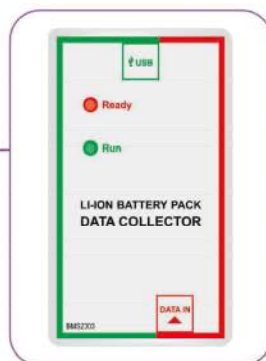
Battery Data	HDQ Protocol	UART Protocol	Canbus Protocol
Cell Type	✓	✓	✓
Cell Configurations	✓	✓	✓
Battery Type	✓	✓	✓
Battery Model	—	✓	✓
Voltage	✓	✓	✓
Rate	✓	✓	✓
Temperature	✓	✓	✓
Total Number of Cycles	✓	✓	✓
Battery Life	—	✓	✓
Battery Serial No.	—	✓	✓
Manufacturer Name	—	✓	✓
Manufacturer Data	—	✓	✓
500 Times of Discharge History	—	✓	✓
500 Times of Charge History	—	✓	✓
Repair History	—	✓	✓



-Data Collector



Smart Lithium Battery



Data Collector



Read by PC with Specialized Monitoring Software



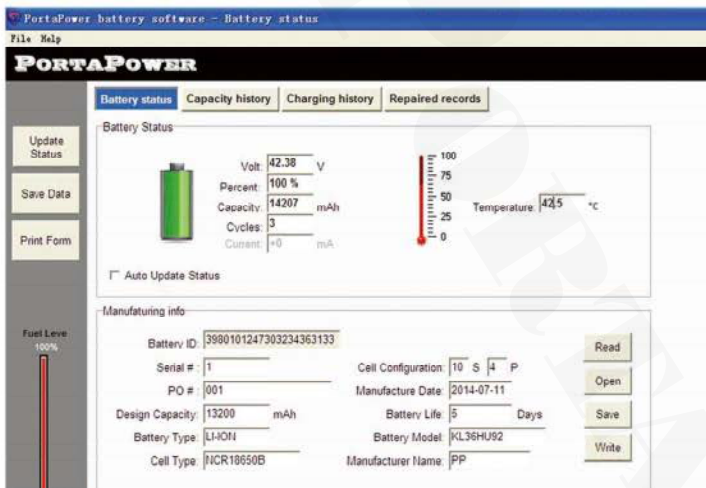
Read by LCD Panel

Designed specifically for engineering testing. User can collect the battery data with the **LI-ION BATTERY PACK DATA COLLECTOR**; and all the data will be shown on the screen / PC.

Battery Read-out by UART Protocol

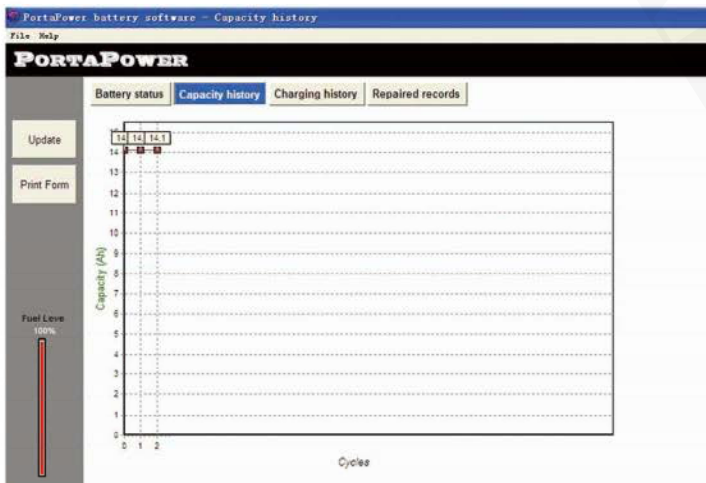


Model: KL36HU92



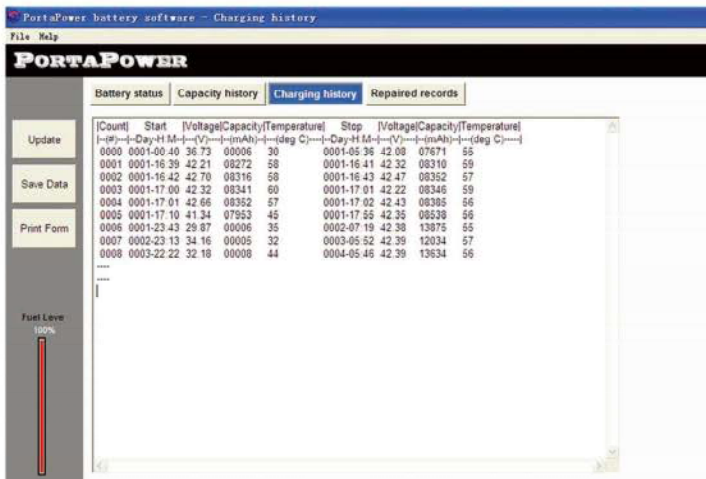
Battery Status Read-out

- Connect the data collector to the PC with an USB cable.
- Start the software program.
- All battery data will be shown, such as battery voltage, capacity, temperature, and cell configurations, etc.



Battery Capacity History Read-out

- A maximum of 500 discharging cycles in record.
- Discharge curve and data are printable.



Battery Charging History Read-out

- A maximum of 500 charging cycles in record.
- Charging records could be saved in .txt file and printed.

Battery Discharge Current Specifications

In order to choose a suitable battery for your vehicle at best, high discharge current is also available according to various specifications in the market.

Fitting Product Model Code: KLHxxxx / KLHxxSxx / KLxxHxx / KLxxHSxx							
Cell Brand	Cell Model	Cell Code	Configurations	Rate (Ah)	Maximum Discharge Current*		
					Continue	10 mins	5s
Panasonic	UR18650AA	082	3P	6.75	10A	13A	18A
			4P or above	≥8.7	15A	18A	35A
	NCR18650PF	089 / 809	2P	5.8	10A	13A	18A
			3P	8.7	13A	15A	25A
			4P or above	>8.7	15A	18A	35A
	NCR18650B	804	3P	10.2	10A	13A	18A
			4P or above	>10.2	15A	18A	35A
	NCR18650GA	906	3P	10.5	10A	13A	18A
			4P or above	>10.5	15A	18A	35A
	YLE	INR18650D260	826	3P	6.6	10A	13A
4P or above				≥8.8	15A	18A	35A
NCR18650D290		89D	2P	5.8	10A	13A	18A
			3P	8.7	13A	15A	25A
			4P or above	≥8.7	15A	18A	35A
				>8.7	15A	18A	35A
Samsung	ICR18650-26J	806	3P	6.6	10A	13A	18A
			4P or above	≥8.8	15A	18A	35A
	INR18650-35E	916	3P	10.5	10A	13A	18A
			4P or above	>10.5	15A	18A	35A

* Maximum discharge current value is subject to change.
Please refer to the respective specification sheet of different products for the most updated details.

Extra Information

KL Product Model Code Structure

High Discharge Current Version

e.g. KL24HU94B.803

KL	24	H	U	94	B	.803
KL = eBike Battery	24 = Voltage	H = High Discharge Current	U = UART Protocol	94 = Serial No.	B = Black Color	803 = Cell Code

e.g. KL36HS92G.089

KL	36	H	S	92	G	.089
KL = eBike Battery	36 = Voltage	H = High Discharge Current	S = HDQ Protocol	92 = Serial No.	G = Gery Color	089 = Cell Code

High Discharge & High Charge Current Version (uses 200W Charger)

e.g. KLH48S05S.083

KL	H	48	S	05	S	.083
KL = eBike Battery	H = High Discharge Current & High Charge Current	48 = Voltage	S = HDQ Protocol	05 = Serial No.	S = Silver Color	083 = Cell Code

Summary Table (BATTERY CHARGERS)

60W Chargers

Model	ACK2804N	ACK4201N	C060L0701	C060L1001	CF080L0702
Battery Voltage	24V	36V	24V	36V	24V
DC Output / Charging Current	29.4V Max. 1.5A	42.0V Max.1.35A	29.4V Max.1.5A	42.0V Max. 1.35A	29.4V Max. 2A
AC Input	100V - 240V				
Input Frequency	50Hz - 60Hz				
Efficiency (full load)	≥85%				≥83%
Dimensions(mm)	115 (L) x 59 (W) x 30.8(H)				119.5 (L) x 56 (W) x 31.7 (H)
Certifications	CE, GS, UL, SAA & RCM		CE, FCC		

80W Chargers

Model	CF080L1018	CF080L1020	CM080L1002
Battery Voltage	36V		
DC Output / Charging Current	42.0V Max. 2A		
AC Input	100V - 240V		
Input Frequency	50Hz - 60Hz		
Efficiency (full load)	≥80%		≥84%
Dimensions(mm)	141.2 (L) x 60.5 (W) x 33.6 (H)		147.0(L) x 65.5 (W) x 34.2 (H)
Certifications	CE,FCC	CE, FCC, UL, SAA, PSE	CE, FCC, KC, GS, RCM, UL

100W Chargers

Model	CP100L0702	CP100L1002	CP100L1302
Battery Voltage	24V	36V	48V
DC Output / Charging Current	29.4V Max. 2.35A	42.0V Max. 2.2A	54.6V Max. 1.8A
AC Input	100V - 240V		
Input Frequency	50Hz - 60Hz		
Efficiency (full load)	≥88%		
Dimensions(mm)	169.3 (L) x 64.8 (W) x 39.2 (H)		
Certifications	CE, FCC		

160W Chargers

Model	CM160L1004	CM160L1303	CPF160L1004	CF160L1004
Battery Voltage	36V	48V	36V	36V
DC Output / Charging Current	42.0V Max. 4A	54.6V Max. 3A	42V Max. 4A	42V Max. 4A
AC Input	100V - 240V			
Input Frequency	50Hz - 60Hz			
Efficiency (full load)	≥85%		>92%	≥85%
Dimensions(mm)	179 (L) x 80 (W) x 37 (H)		182 (L) x 79 (W) x 38 (H)	181.6 (L) x 81.6 (W) x 43.4 (H)
Certifications	CE, FCC, KC, RCM, GS		CE, FCC, GS	CE, FCC

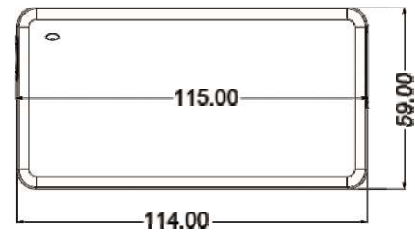
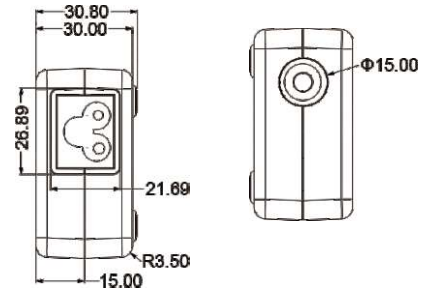
250W Chargers

Model	CM250L1006
Battery Voltage	36V
DC Output / Charging Current	42.0V Max. 6A
AC Input	100V - 240V
Input Frequency	50Hz - 60Hz
Efficiency (full load)	>87%
Dimensions(mm)	220 (L) x 105.8 (W) x 48.3 (H)
Certifications	CE, FCC

60W CHARGERS

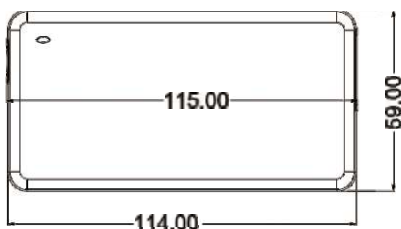
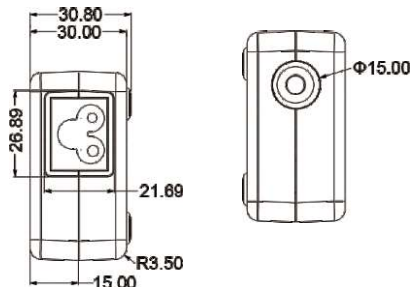
Specifications

Model	ACK2804N	ACK4201N
Battery Voltage	24V	36V
DC Output / Charging Current	29.4V Max. 1.5A	42.0V Max. 1.35A
AC Input	100V - 240V	
Input Frequency	50Hz - 60Hz	
Efficiency (full load)	≥85%	
Dimensions	115 (L) x 59 (W) x 30.8 (H) mm	
	Length of DC out cord: 1.8M	
Weight	Approx. 335g	
Cooling Mode	Fully Closed / Fanless	
Protection	Over Current Protection	
	Over Voltage Protection	
	Over Temperature Protection	
	Short-circuit Protection	
	Reverse Polarity Protection	
	Switching Off Protection	
	Recharge Protection	
Function	Pre-charge Function	
Certifications	CE, GS, UL, SAA & RCM	
Safety Standard	EN55014, EN60335, EN61000, UL1310	



60W CHARGERS

Specifications

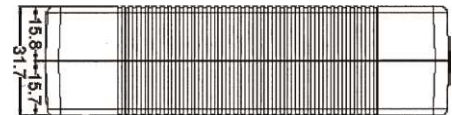
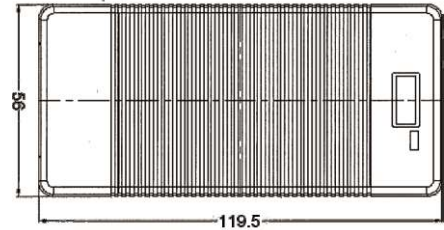


Model	C060L0701	C060L1001
Battery Voltage	24V	36V
DC Output / Charging Current	29.4V Max. 1.5A	42.0V Max. 1.35A
AC Input	100V - 240V	
Input Frequency	50Hz - 60Hz	
Efficiency (full load)	≥85%	
Dimensions	115 (L) x 59 (W) x 30.8 (H) mm	
	Length of DC out cord: 1.0M	
Weight	Approx. 280g	
Cooling Mode	Fully Closed / Fanless	
Protection	Over Current Protection	
	Over Voltage Protection	
	Over Temperature Protection	
	Short-circuit Protection	
	Switching Off Protection	
	Recharge Protection	
	Function	Pre-charge Function
Certifications	CE, FCC	
Safety Standard	EN55014, EN60335, EN61000	

80W CHARGERS

Specifications

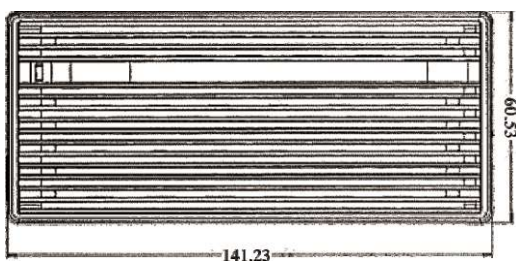
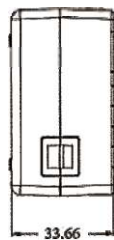
Model	CF080L0702
Battery Voltage	24V
DC Output / Charging Current	29.4V Max. 2A
AC Input	100V - 240V
Input Frequency	50Hz - 60Hz
Efficiency (Full load)	≥83%
Dimensions	119.5 (L) x 56 (W) x 31.7 (H) mm
	Length of DC out cord: 1M
Weight	Approx. 236g
Cooling Mode	Fully Closed / Fanless
Protection	Over Current Protection
	Short-circuit Protection
Certifications	CE, FCC
Safety Standard	EN55014, EN60335, EN61000



80W CHARGERS

Specifications

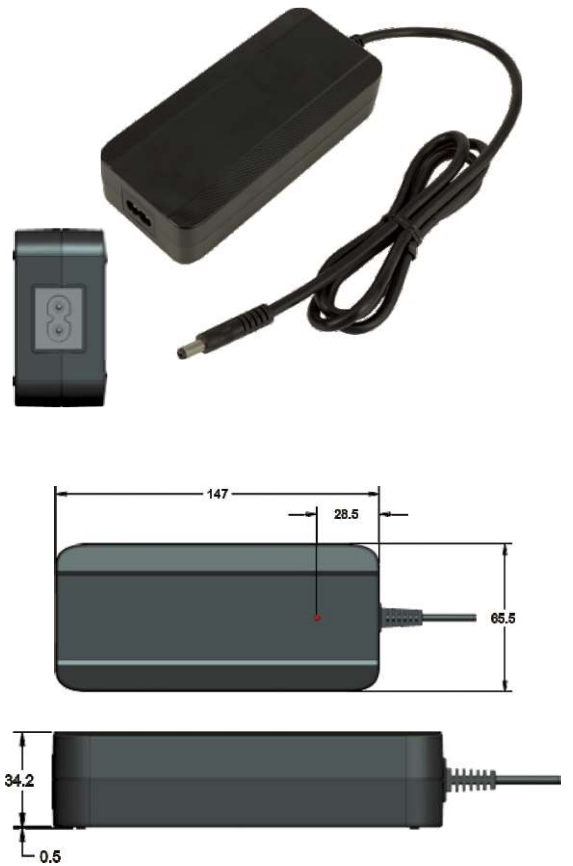
Model	CF080L1020	CF080L1018
Battery Voltage	36V	
DC Output / Charging Current	42V Max. 2A	
AC Input	100V - 240V	
Input Frequency	50Hz - 60Hz	
Efficiency (Full load)	≥80%	
Dimensions	141.2 (L) x 60.5 (W) x 33.6 (H) mm	
	Length of DC out cord: 1.2M	
Weight	Approx. 306g	Approx. 316g
Cooling Mode	Fully Closed / Fanless	
Protection	Over Current Protection	
	Short-circuit Protection	
Certifications	CE, FCC, UL, SAA, PSE	CE, FCC
Safety Standard	EN55014, EN60335, EN61000, UL1310, FCC part15B	EN55014, EN60335, EN61000



80W CHARGERS

Specifications

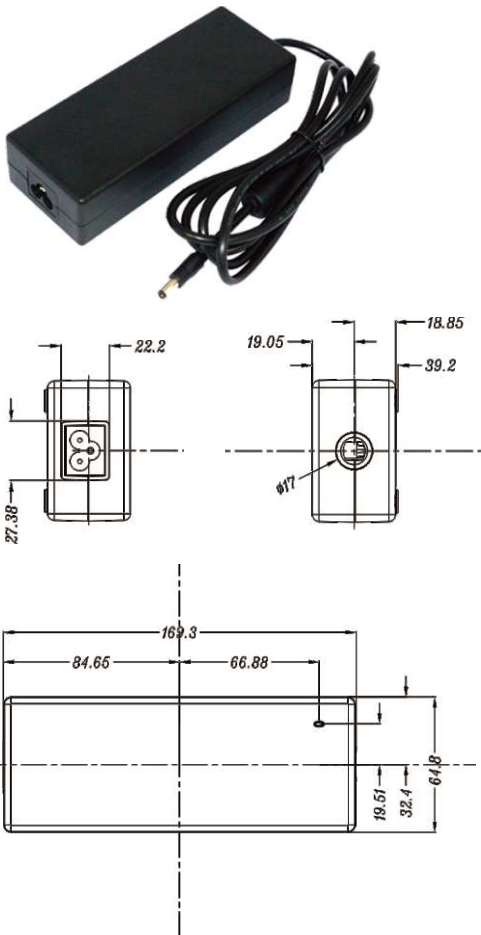
Model	CM080L1002
Battery Voltage	36V
DC Output / Charging Current	42V Max. 2A
AC Input	100V - 240V
Input Frequency	50Hz - 60Hz
Efficiency (Full load)	≥84%
Dimensions	147.0(L) x 65.5 (W) x 34.2 (H) mm
	Length of DC out cord: 1.5M
Weight	Approx. 365g
Cooling Mode	Fully Closed / Fanless
Protection	Over Current Protection
	Over Voltage Protection
	Over Temperature Protection
	Short-circuit Protection
	Timing Protection
	Reverse Polarity Protection
	Switching Off Protection
	Recharge Protection
Function	Pre-charge Function
Certifications	CE, FCC, KC, GS, RCM, UL
Safety Standard	EN55014, EN60335, EN61000, UL1310, FCC part15B



100W CHARGERS

Specifications

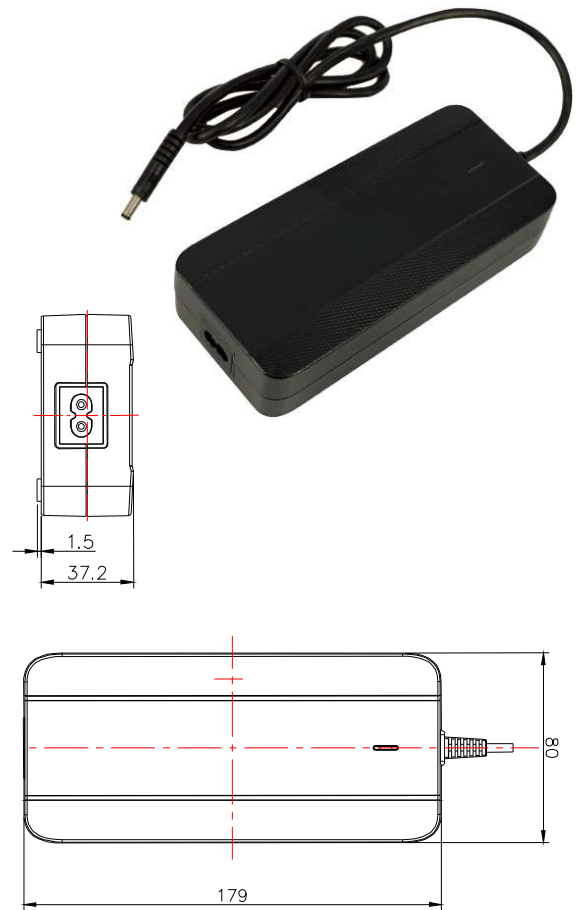
Model	CP100L0702	CP100L1002	CP100L1302
Battery Voltage	24V	36V	48V
DC Output / Charging Current	29.4V Max. 2.35A	42.0V Max. 2.20A	54.6V Max. 1.80A
AC Input	100V - 240V		
Input Frequency	50Hz - 60Hz		
Efficiency (Full load)	≥88%		
Dimensions	169.3(L) x 64.8 (W) x 39.2 (H) mm		
	Length of DC out cord: 1.8M		
Weight	Approx. 610g		
Cooling Mode	Fully Closed / Fanless		
Protection	Over Current Protection		
	Over Voltage Protection		
	Over Temperature Protection		
	Short-circuit Protection		
	Timing Protection		
	Reverse Polarity Protection		
	Switching Off Protection		
	Recharge Protection		
Function	Pre-charge Function		
Certifications	CE, FCC		
Safety Standard	EN55014, EN60335, EN61000, FCC part15B		



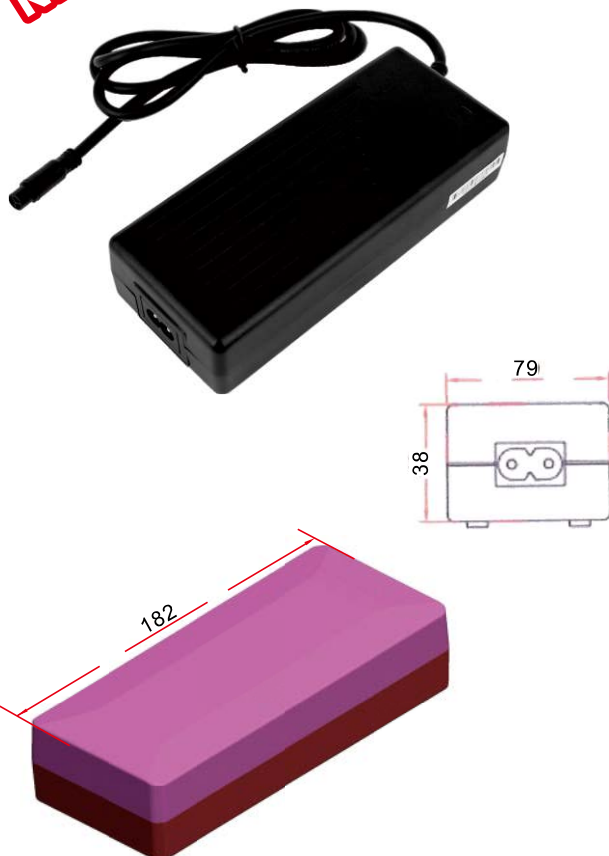
160W CHARGERS

Specifications

Model	CM160L1004	CM160L1303
Battery Voltage	36V	48V
DC Output / Charging Current	42V Max. 4A	54.6V Max. 3A
AC Input	100V - 240V	
Input Frequency	50Hz - 60Hz	
Efficiency (Full load)	≥85%	
Dimensions	179 (L) x 80 (W) x 37.2 (H) mm	
	Length of DC out cord: 1.5M	
Weight	Approx. 733g	
Cooling Mode	Fully Closed / Fanless	
Protection	Over Current Protection	
	Over Voltage Protection	
	Over Temperature Protection	
	Short-circuit Protection	
	Timing Protection	
	Reverse Polarity Protection	
	Switching Off Protection	
	Recharge Protection	
Function	Pre-charge Function	
Certifications	CE, FCC, KC, RCM, GS	
Safety Standard	EN55014, EN60335, EN61000, FCC part15B	



NEW



160W CHARGERS

Specifications

Model	CPF160L1004
Battery Voltage	36V
DC Output / Charging Current	42V Max. 4A
AC Input	100V - 240V
Input Frequency	50Hz - 60Hz
Efficiency (Full load)	>92%
Dimensions	182 (L) x 79 (W) x 38 (H) mm
	Length of DC out cord: 1.5M
Weight	Approx. 680g
Cooling Mode	Fully Closed / Fanless
Protection	Over Current Protection
	Over Voltage Protection
	Short-circuit Protection
	Reverse Polarity Protection
Certifications	CE, FCC, GS
Safety Standard	EN55014, EN60335

160W CHARGERS

Specifications



Model	CF160L1004
Battery Voltage	36V
DC Output / Charging Current	42V Max. 4A
AC Input	100V - 240V
Input Frequency	50Hz - 60Hz
Efficiency (Full load)	≥85%
Dimensions	181.6 (L) x 81.6 (W) x 43.4 (H) mm
	Length of DC out cord: 1M
Weight	Approx. 452g
Cooling Mode	Fully Closed / Fanless
Protection	Over Current Protection
	Short-circuit Protection
Certifications	CE, FCC
Safety Standard	EN55014, EN60335, EN61000, FCC part15B

250W CHARGERS

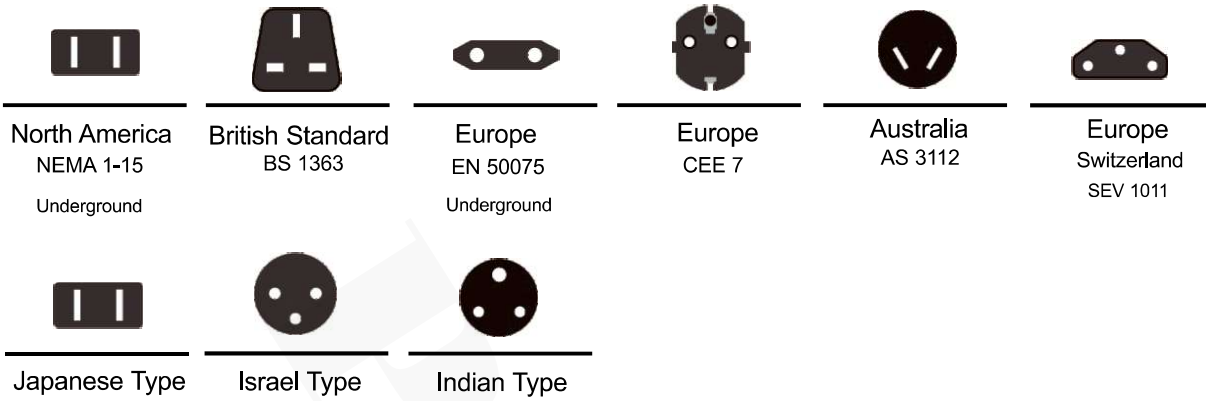
Specifications

Model	CM250L1006
Battery Voltage	36V
DC Output / Charging Current	42V Max. 6A
AC Input	100V - 240V
Input Frequency	50Hz - 60Hz
Efficiency (Full load)	>87%
Dimensions	220 (L) x 105.8 (W) x 48.3 (H) mm
	Length of DC out cord: 1.5M
Weight	Approx. 316g
Cooling Mode	Fully Closed / Fanless
Protection	Over Current Protection
	Over Voltage Protection
	Over Temperature Protection
	Short-circuit Protection
	Timing Protection
	Reverse Polarity Protection
	Switching Off Protection
	Recharge Protection
Function	Pre-charge Function
Certifications	CE, FCC
Safety Standard	EN55014, EN60335, EN61000, FCC part15B



CHOOSE YOUR PLUG

AC PLUG for Battery Chargers:



DC PLUG for Battery Chargers:



ELECTRIC MOTORCYCLE BATTERY TYPES



MEET U NEEDS

Electric Motorcycle
Battery Types

Electric Motorcycle Battery & Internal Battery Management Systems (BMS)



48V



4 sets of 12V / 40Ah (48V / 40Ah) Lithium Battery Pack, connecting to an Internal BMS

48V Battery System
Combination: 4S1P
4 sets of 12V / 40Ah Lithium Battery Pack, connected to a 48V / 40Ah Internal BMS



48V



4 sets of 12V / 40Ah (48V / 40Ah) Lithium Battery Pack, connecting to an Internal BMS

48V Battery System
Combination: 4S1P
4 sets of 12V / 40Ah Lithium Battery Pack, connected to a 48V / 40Ah Internal BMS

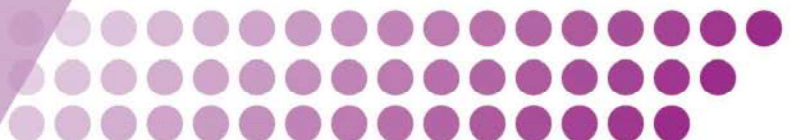


60V



5 sets of 12V / 40Ah (60V / 40Ah) Lithium Battery Pack, connecting to an Internal BMS

60V Battery System
Combination: 5S1P
5 sets of 12V / 40Ah Lithium Battery Pack, connected to a 60V / 40Ah Internal BMS



Plug-and-Run Battery Management System (BMS) For eMotorcycles



LCD Instrumentation

Lithium Battery Packs



Motor Controller

DC Hub Motor

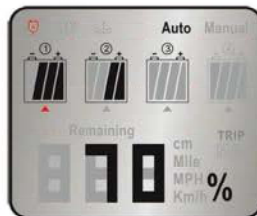


- Accommodate up to 3 lithium battery packs.
- Each pack can operate independently.
- BMS to command switching automatically from one used up battery to another one for supplying power continuously.

LCD Instrumentation



The BMS controller analyzes performance of both the batteries and motorcycle with data shown on the LCD display panel.



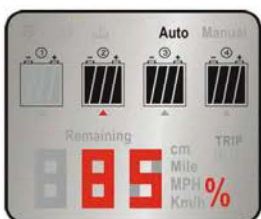
Battery Charging Status



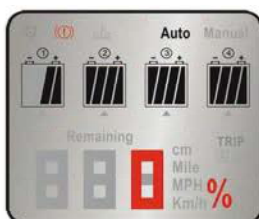
Current Speed



Manual Mode



Battery Capacity



Battery Error



Battery Temperature Warning

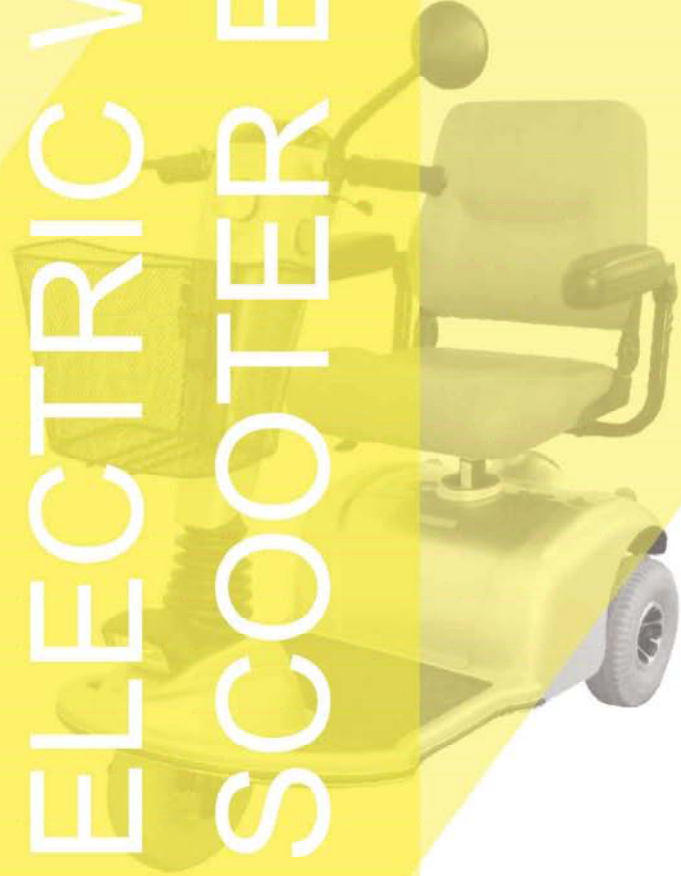


Total Distance Travelled



Estimated Range Available

ELECTRIC WHEELCHAIR & SCOOTER BATTERY TYPES



MEET U NEEDS

**Electric Wheelchair &
Scooter Battery Types**

24V Lithium Battery System For Electric Wheelchairs



Model No.	YL-STJ1	YL-WJG2
Voltage	24V	24V
Configurations	7S4P	7S4P
Rate	8.8Ah - 14.0Ah	8.8Ah - 14.0Ah
Cont. Discharge Current*	15A	15A
Weight (kg)	2.01	1.81
Dimensions (mm)	89 (L) x 87 (W) x 232 (H)	Ø 81.5 x 289 (H)

* Maximum discharge current value is subject to change. Please refer to the respective specification sheet of different products for the most updated details.



For Wheelchairs

24V Lithium Battery System For Electric Wheelchairs



Model No.	YL-CWF2
Voltage	24V
Configurations	7S4P
Rate	8.8Ah - 14.0Ah
Cont. Discharge Current*	15A
Weight (kg)	1.77
Dimensions (mm)	148 (L) x 56 (W) x 249 (H)

* Maximum discharge current value is subject to change. Please refer to the respective specification sheet of different products for the most updated details.



For Wheelchairs

24V Lithium Battery System For Electric Wheelchairs & Scooters



	Product Code	Configurations	Cell Type	Voltage	Rate	Power	Max. Discharge Current*		
	HL24S17B.906	NCR18650GA-7S8P	Li-ion	24V	28Ah	672Wh	Cont.	Pluse (20s)	Protect
	Product Code	Configurations	Cell Type	Voltage	Rate	Power	Max. Discharge Current*		
	HL24S33B.906	NCR18650GA-7S14P	Li-ion	24V	52.5Ah	1260Wh	40A	50A	58A
	Product Code	Configurations	Cell Type	Voltage	Rate	Power	Max. Discharge Current*		
	HL24S55B.906	NCR18650GA-7S21P	Li-ion	24V	73.5Ah	1764Wh	40A	50A	58A
	Product Code	Configurations	Cell Type	Voltage	Rate	Power	Max. Discharge Current*		
	HL24S54B.906	NCR18650GA-7S22P	Li-ion	24V	77Ah	1848Wh	60A	70A	100A

* Maximum discharge current value is subject to change.

Please refer to the respective specification sheet of different products for the most updated details.



EQUIPMENT

MEET U NEEDS

Equipment



Rechargeable Battery Analyzers

AN04 is a multi-channel charge & discharge analyzer for a wide range of rechargeable batteries up to 100V, with discharge power up to 500W / Channel. Its maximum discharge current is 20A.



- AN04 (16 Channels)



- AN03 (1 Channel)

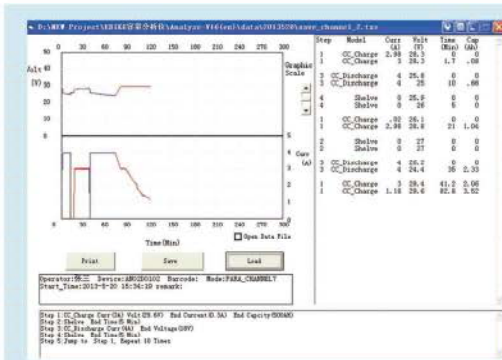
AN03 is a single channel charge & discharge analyzer and has all the same functions as AN04.



- ▶ Support charging and discharging the same port or different ports. An integrated system for discharging, charging and aging test consecutively as programmed, supporting internal / external charging.
- ▶ Scans barcode to link analyzed results with database.
- ▶ It also has a modularized structure for easy upgrade, maintenance and enhancement of production efficiency.



▶ Designed for various rechargeable batteries such as Li-ion, Li-Fe, Li-Co, Li-Mn, Ni-MH, and Ni-CD, etc.



Test results could be:

- ▶ Displayed on screen
- ▶ Stored electronically
- ▶ Generated in graphic curves
- ▶ Printed as report
- ▶ Uploaded by PQTS system



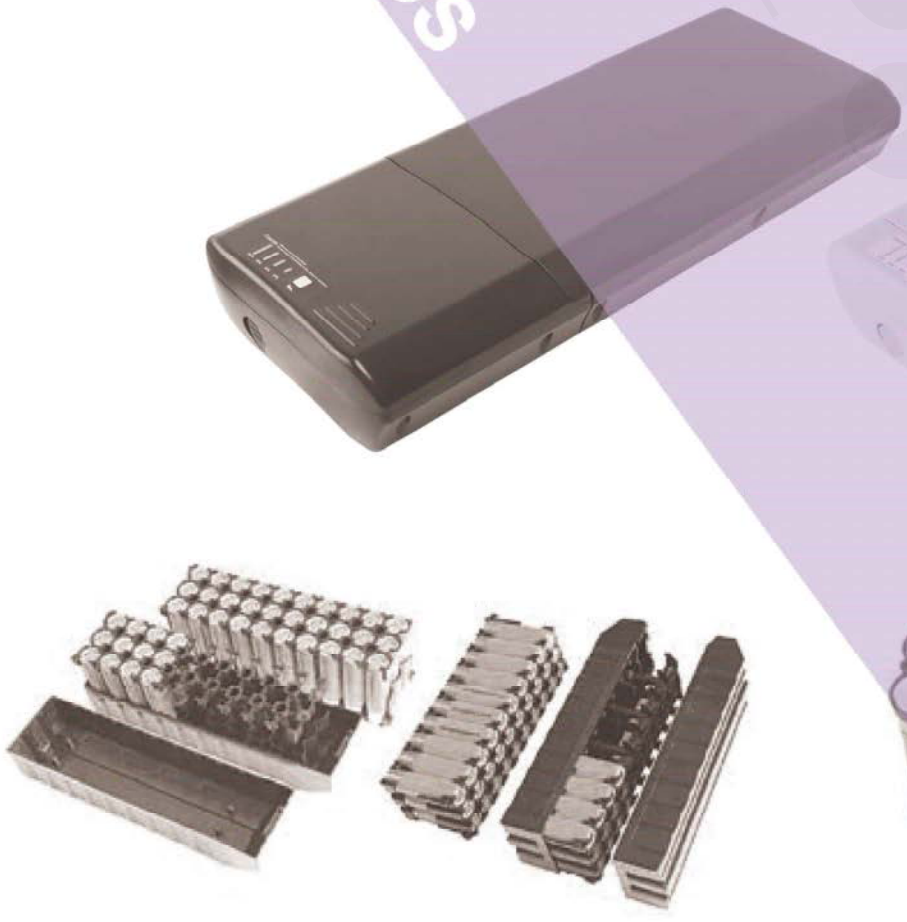
Scans barcode to upload / download analyzed results to / from database.

Specifications (Each Channel)

	Parameters	Range	Margin of Error
Charge	Use Built-in Charger	Voltage	8.4 ~ 54.6V
		Current	0 ~ 6A
		Power	0 ~ 250W
Discharge	Limited Current / Constant Current Discharge Mode	Voltage	0 ~ 100V
		Current	0 ~ 15A
		Power	0 ~ 500W

**Battery Case
Accessories**

MEET U NEEDS



Battery Case Accessories

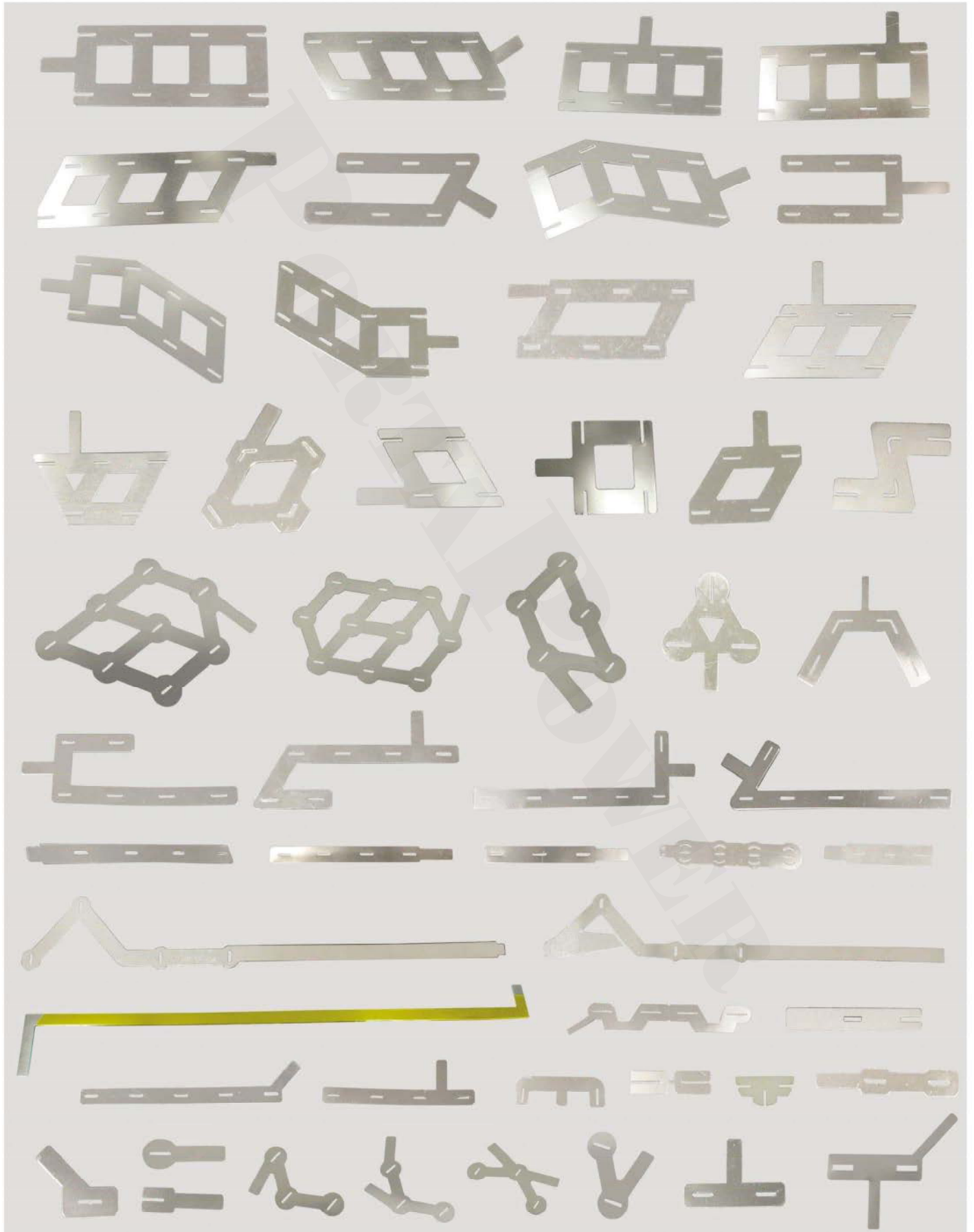
Battery Case Accessories - Cell Holders



Battery Case Accessories - Nickel Plates



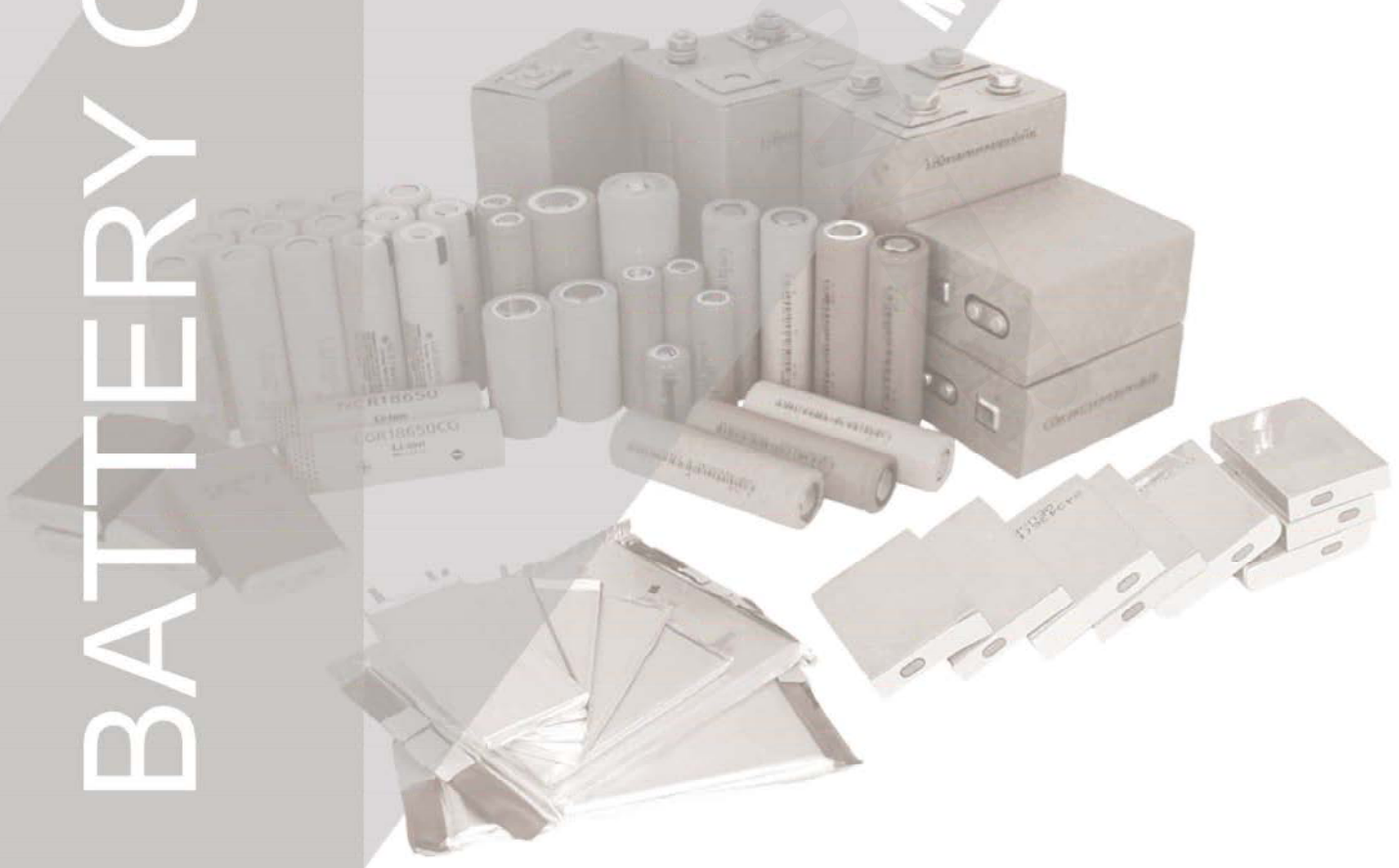
Over thousands nickel plates available



BATTERY CELLS

Battery Cells

MEET U NEEDS



JAPAN and KOREA Cells

We are the Authorized Assembler of **Panasonic** and **Samsung** of high power consumption battery packs.



Brand		Panasonic	Panasonic	Panasonic	Panasonic	Samsung	Samsung	Samsung	Samsung
Model		UR18650AA	NCR18650PF	NCR18650B	NCR18650GA	ICR18650-26J	INR18650-29E	INR18650-35E	INR21700-50E
Chemistry		Li-ion	Li-ion	Li-ion	Li-ion	Li-ion	Li-ion	Li-ion	Li-ion
Nominal Voltage		3.6V	3.6V	3.6V	3.6V	3.7V	3.6V	3.6V	3.6V
Minimum Rate		2150mAh	2750mAh	3250mAh	3350mAh	2550mAh	2750mAh	3250mAh	4750mAh
Typical Rate		2250mAh	2900mAh	3350mAh	3450mAh	2600mAh	2850mAh	3350mAh	4900mAh
Internal Impedance		≤ 100mΩ	≤ 35mΩ	≤ 48mΩ	≤ 38mΩ	≤ 100mΩ	≤ 100mΩ	≤ 35mΩ	≤ 15mΩ
Charge	Method	CV/CC**	CV/CC**	CV/CC**	CV/CC**	CV/CC**	CV/CC**	CV/CC**	CV/CC**
	Voltage	4.2V	4.2V	4.2V	4.2V	4.2V	4.2V	4.2V	4.2V
	Standard Current	1.50A	1.35A	1.62A	1.67A	1.3A	1.37A	1.7A	2.45A
	Rapid Current	2.15A	1.35A	3.4A	1.67A	2.6A	2.75A	2A	4.9A
Discharge*	Cut-off Voltage	2.75V	2.5V	2.5V	2.5V	2.75V	2.5V	2.65V	2.5V
	Constant Current	5A	10A	4.9A	10A	5.2A	8.25A	8A	9.8A
Dimensions	Diameter	Ø18.3 mm	Ø18.6mm	Ø18.5 mm	Ø18.5 mm	Ø18.4mm	Ø18.4 mm	Ø18.55 mm	Ø20.25 mm
	Height	64.9mm	65.2mm	65.3mm	65.1mm	65mm	65mm	65.25mm	70.8mm
Approx. Weight		42.2g	44.5g	47.5g	49.5g	45g	45g	50g	69g

* Maximum discharge current value is subject to change. Please refer to the respective specification sheet of different products for the most updated details.

** CC/CV = Constant Current/Constant Voltage

CHINA Cells

Partnered with **YikLik Energy Limited (YLE)**, battery cell manufacturer, we have successfully produced high-quality Li-ion and Li-polymer cells of LiCoO₂, LiNMC and LiFePO₄ chemistries. They are now being used in the making of battery packs for eBikes, eMotorcycles, Electric Wheelchairs, Electric Golf Carts, Car Starter Batteries, UPS Systems, Lightings, Household Appliances, Remote Control Toys, and many others.

YLE



YLE	YLE	YLE	YLE	YLE	YLE	Brand	
INR18650D220	INR18650D260 D	INR18650D290 D	NCR18650D350 D	INR18650D200 GT	INR18650D250 D	Model	
NCA	NCA	NCA	NCA	NCA	Li-NMC	Chemistry	
3.6V	3.6V	3.6V	3.6V	3.6V	3.6V	Nominal Voltage	
2150mAh	2550mAh	2800mAh	3300mAh	1950mAh	2450mAh	Minimum Rate	
2200mAh	2600mAh	2900mAh	3450mAh	2000mAh	2500mAh	Typical Rate	
≤ 25mΩ	≤ 25mΩ	≤ 25mΩ	≤ 35mΩ	≤ 18mΩ	≤ 25mΩ	Internal Impedance	
CV/CC**	CV/CC**	CV/CC**	CV/CC**	CV/CC**	CV/CC**	Method	Charge
4.2V	4.2V	4.2V	4.2V	4.2V	4.2V	Voltage	
2.75V	2.75V	2.5V	2.5V	2.75V	2.75V	Cut-off Voltage	Discharge*
10A	10A	10A	10A	20A	20A	Constant Current	
Ø18.4 mm	Ø18.4 mm	Ø18.4 mm	Ø18.4 mm	Ø18.5mm	Ø18.4 mm	Diameter	Dimensions
65.2mm	65.2mm	65.2mm	65.2mm	65.3mm	65.2mm	Height	
45g	47g	49g	49g	43g	47g	Approx. Weight	

* Maximum discharge current value is subject to change. Please refer to the respective specification sheet of different products for the most updated details.

** CC/CV = Constant Current/Constant Voltage

CHINA Cells

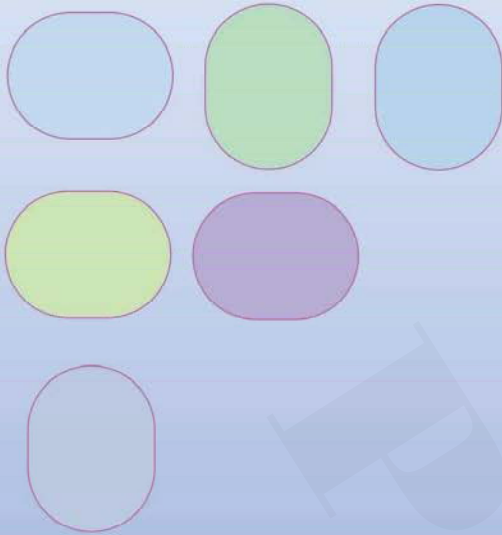
Partnered with YikLik Energy Limited (YLE), battery cell manufacturer, we have successfully produced high-quality Li-ion and Li-polymer cells of LiCoO₂, LiNMC and LiFePO₄ chemistries. They are now being used in the making of battery packs for eBikes, eMotorcycles, Electric Wheelchairs, Electric Golf Carts, Car Starter

YLE

18650系列 / For 18650:										
Modle / 型号	Nominal Voltage / 标准电压	Minimum Rate / 最小容量	Typical Rate / 标称容量	Internal Impedance / 内阻	Charge / 充电		Discharge* / 放电		Dimensions / 尺寸	
					Method / 方式	Voltage / 电压	Cut-off Voltage / 截止电压	Constant Current / 持续电流	Diameter / 直径	Height / 高度
INR18650A260 A	3.6V	2550mAh	2600mAh	≤ 48mΩ	CV/CC**	4.2V	2.75V	5A	Ø18.4mm	65.2mm
INR18650D150 EMT	3.6V	1450mAh	1500mAh	≤ 18mΩ	CV/CC**	4.2V	2.75V	15A	Ø18.5mm	65.3mm
INR18650D150GT	3.6V	1450mAh	1500mAh	≤ 18mΩ	CV/CC**	4.2V	2.75V	20A	Ø18.5mm	65.3mm
INR18650A250 A	3.6V	2480mAh	2500mAh	≤ 48mΩ	CV/CC**	4.2V	2.75V	5A	Ø18.4mm	65.2mm
NCR18650A300 A	3.6V	2950mAh	3000mAh	≤ 48mΩ	CV/CC**	4.2V	2.5V	6A	Ø18.4mm	65.2mm
NCR18650A335 A	3.6V	3250mAh	3350mAh	≤ 45mΩ	CV/CC**	4.2V	2.5V	6A	Ø18.4mm	65.2mm
NCR18650A320 A	3.6V	3100mAh	3200mAh	≤ 45mΩ	CV/CC**	4.2V	2.5V	6A	Ø18.4mm	65.2mm
NCR18650D250 ET	3.6V	2450mAh	2500mAh	≤ 25mΩ	CV/CC**	4.2V	2.5V	15A	Ø18.4mm	65.2mm
NCR18650D300 ET	3.6V	2900mAh	3000mAh	≤ 20mΩ	CV/CC**	4.2V	2.5V	15A	Ø18.4mm	65.2mm
NCR18650D320 D	3.6V	3100mAh	3200mAh	≤ 35mΩ	CV/CC**	4.2V	2.5V	10A	Ø18.4mm	65.2mm

其他系列 / For Others:										
Modle / 型号	Nominal Voltage / 标准电压	Minimum Rate / 最小容量	Typical Rate / 标称容量	Internal Impedance / 内阻	Charge / 充电		Discharge* / 放电		Dimensions / 尺寸	
					Method / 方式	Voltage / 电压	Cut-off Voltage / 截止电压	Constant Current / 持续电流	Diameter / 直径	Height / 高度
IFR14500A60 A	3.2V	570mAh	600mAh	≤ 80mΩ	CV/CC**	3.65V	2.0V	1.2A	Ø14.3mm	42.7mm
IFR16340A50 AJ	3.2V	470mAh	500mAh	≤ 100mΩ	CV/CC**	3.65V	2.0V	1A	Ø16.5mm	34.2mm
INR14300A52 A	3.6V	490mAh	520mAh	≤ 90mΩ	CV/CC**	4.2V	2.75V	1A	Ø14.3mm	30.2mm
INR14430A75	3.6V	710mAh	750mAh	≤ 85mΩ	CV/CC**	4.2V	2.75V	2A	Ø14.3mm	42.7mm
INR14500A80	3.6V	750mAh	800mAh	≤ 85mΩ	CV/CC**	4.2V	2.75V	2A	Ø14.2mm	50.0mm
INR14500A95 A	3.6V	900mAh	950mAh	≤ 75mΩ	CV/CC**	4.2V	2.75V	2A	Ø14.2mm	49.0mm
INR16300A65	3.6V	620mAh	650mAh	≤ 85mΩ	CV/CC**	4.2V	2.75V	1.3A	Ø16.5mm	30.0mm
INR16300D65 A	3.6V	620mAh	650mAh	≤ 75mΩ	CV/CC**	4.2V	2.75V	5A	Ø16.5mm	30.0mm
INR18350D82 DT	3.6V	780mAh	820mAh	≤ 30mΩ	CV/CC**	4.2V	2.75V	8A	Ø18.4mm	35.2mm
INR18500A160 A	3.6V	1600mAh	1700mAh	≤ 60mΩ	CV/CC**	4.2V	2.75V	3.4A	Ø18.4mm	48.8mm
INR18500A170 A	3.6V	1600mAh	1700mAh	≤ 60mΩ	CV/CC**	4.2V	2.75V	3.4A	Ø18.4mm	48.8mm
INR26650A500	3.6V	4800mAh	5000mAh	≤ 35mΩ	CV/CC**	4.2V	2.75V	10A	Ø26.3mm	65.2mm
NCR10380D40 A	3.6V	380mAh	400mAh	≤ 85mΩ	CV/CC**	4.2V	2.5V	1A	Ø10.2mm	37.7mm
NCR10380D40 AJ	3.6V	380mAh	400mAh	≤ 85mΩ	CV/CC**	4.2V	2.5V	1A	Ø10.2mm	38.2mm
NCR10430D45 A	3.6V	420mAh	450mAh	≤ 70mΩ	CV/CC**	4.2V	2.5V	1A	Ø10.2mm	42.4mm
NCR10430D45 AJ	3.6V	420mAh	450mAh	≤ 70mΩ	CV/CC**	4.2V	2.5V	1A	Ø10.2mm	43.2mm
NCR10500D50 A	3.6V	470mAh	500mAh	≤ 65mΩ	CV/CC**	4.2V	2.5V	1A	Ø10.2mm	50.2mm
NCR10500D50 AJ	3.6V	470mAh	500mAh	≤ 65mΩ	CV/CC**	4.2V	2.5V	1A	Ø10.2mm	50.2mm
NCR14250A52 A	3.6V	490mAh	520mAh	≤ 100mΩ	CV/CC**	4.2V	2.5V	1A	Ø14.3mm	25.2mm
NCR14430A92 A	3.6V	880mAh	920mAh	≤ 80mΩ	CV/CC**	4.2V	2.5V	2A	Ø14.3mm	42.7mm
NCR14500A105 A	3.6V	1000mAh	1050mAh	≤ 75mΩ	CV/CC**	4.2V	2.5V	2A	Ø14.2mm	49.0mm
NCR18500A204 A	3.6V	1940mAh	2040mAh	≤ 60mΩ	CV/CC**	4.2V	2.5V	4A	Ø18.4mm	48.8mm
NCR18500A225 A	3.6V	2150mAh	2250mAh	≤ 60mΩ	CV/CC**	4.2V	2.5V	4A	Ø18.4mm	48.8mm

* Maximum discharge current value is subject to change. Please refer to the respective specification sheet of diffe for the most updated details.
 ** CC/CV = Constant Current/Constant Voltage
 * 最大放电电流值随时可能更改。请参考各自的规格表的最新细节。
 ** CC/CV = 恒流恒压 (Constant Current & Constant Voltage)



MEET U NEEDS

Energy Solution Provider



蔡惠雨 Yu Choi

HONG KONG HEADQUARTERS:

PORTAPower (China) Limited

Flat 1003, 10/F., Hopeful Factory Centre,
10-16 Wo Shing St., Fotan, N.T., Hong Kong
Tel: (852) 2687 6323; Fax: (852) 2687 6312
Website: <http://www.portapower.com>

SERVICE CENTRE:

Silver Centre GmbH

Am Treptower Park 28-30 (Huas D2),
12345 Berlin, Germany
Tel: +49 030 60985356
Website: <http://www.erider.com>

GUANGDONG FACTORY:

Guangzhou Zhanhui Electronics Co., Ltd.

No.320, Shinan Road, Guantan, Dongchong,
Nansha District, Guangzhou, P. C.: 511453
Tel: (86) 020-6680 4228; Fax: (86) 020-6680 4229

HUNAN FACTORY:

Changde Yik Lik Energy Limited

Anxiang County Industrial Area,
Changde City, Hunan, P. C.: 415600
Tel: (86) 0736-433 8338; Fax: (86) 0736-433 8333
Website: <http://www.yiklik.com>

TAIWAN FACTORY:

PORTAPower Electronics Limited

1/F, No. 79, Ln. 271, Liancun Rd., Fengyuan Dist.,
Taichung City 420, Taiwan (R.O.C.)
Tel: 04-2539 3823; Fax: 04-2539 3829
Tax No.: 85040974
Website: <http://www.portapower.com.tw>

